

CLEVER



INDEX

1. Data and Documentation
2. Use
3. Specifications

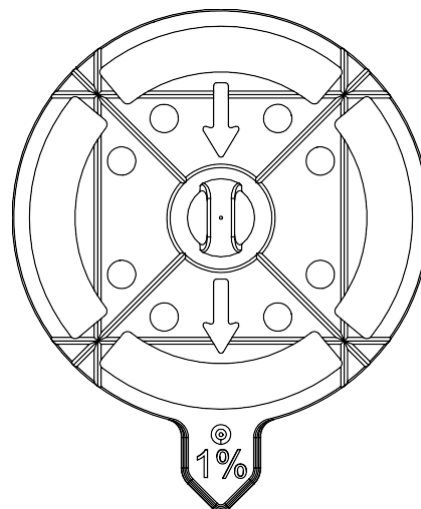
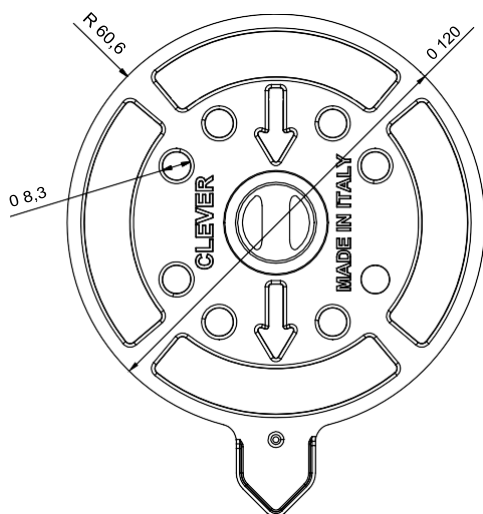
1. DATA AND DOCUMENTATION

Code	Description	Dimensions (mm)	Weight	Sac. / Pkg. / Pallet
TER09-1143/C1	Clever - slope compensator with 1 % slope	ø 120	0.011 kg/pc.	30 pcs / 360 pcs / 32,400 pcs.
TER09-1143/C3	Clever - slope compensator with 3 % inclination	ø 120	0.019 kg/pc.	30 pcs / 360 pcs / 32,400 pcs.
TER09-1143/C5	Clever - slope compensator with 5 % inclination	ø 120	0.027 kg/pc.	30 pcs. / 180 pcs. / 16,200 pcs.

MATERIAL

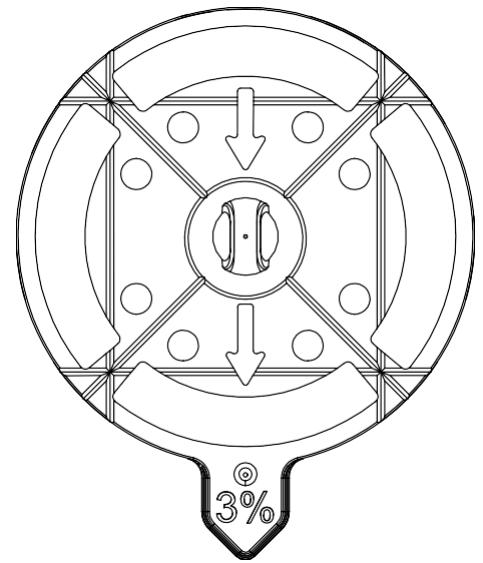
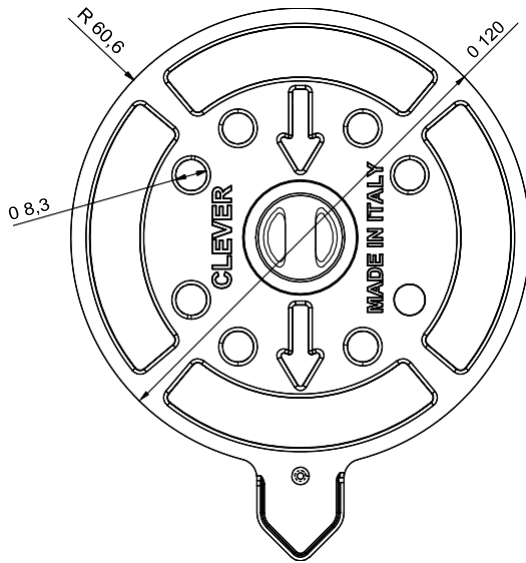
Made of rubber

TER09-1143/C1

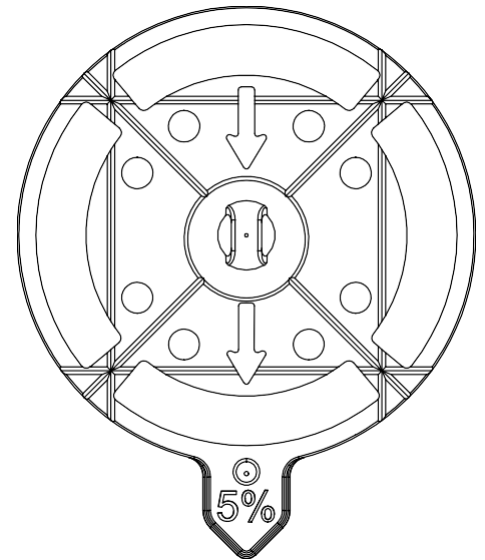
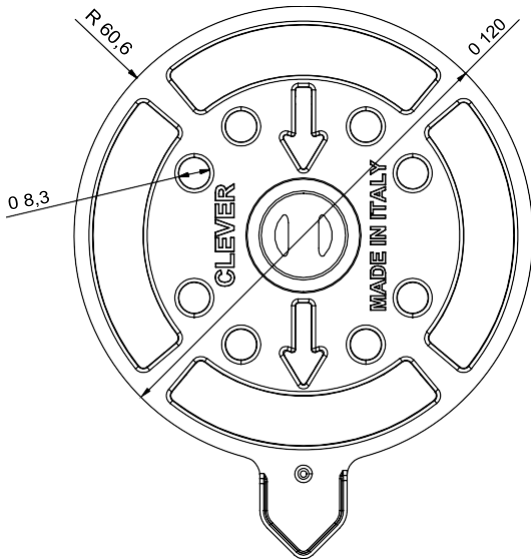


CLEVER

TER09-1143/C3



TER09-1143/C5



CLEVER

2. USE

It allows slope compensation from 1 to 5 %.

To be positioned on the head of the Arkimede or Arkimede Nano support. The arrow printed on Clever indicates the direction of the slope. Once placed on the support head, the system allows further adjustment by rotation in order to completely level the paving surface with the subfloor. Clever makes it possible to create a perfectly level surface while reducing footfall noise.



3. SPECIFICATION ITEMS

Entry	Description	Unit	Price
Dak.O.TER09.1143/Cx	Supply and installation of rubber slope compensator. Diameter 120 mm, available in 3 different slopes 1, 3, 5 %. Made of rubber. It allows slope compensation from 1 to 5 %. The maximum slope that can be achieved is 6 %. Position on the head of the support and by means of a rotation, adjust the slope in the desired direction. Clever allows you to create a perfectly flat surface while also reducing footfall noise.		
Dak.O.TER09.1143/C1	Clever for slope compensation 1 %.....	pc.	-
Dak.O.TER09.1143/C3	Clever for slope compensation 3 %.....	pc.	-
Dak.O.TER09.1143/C5	Clever for slope compensation 5 %.....	pc.	-