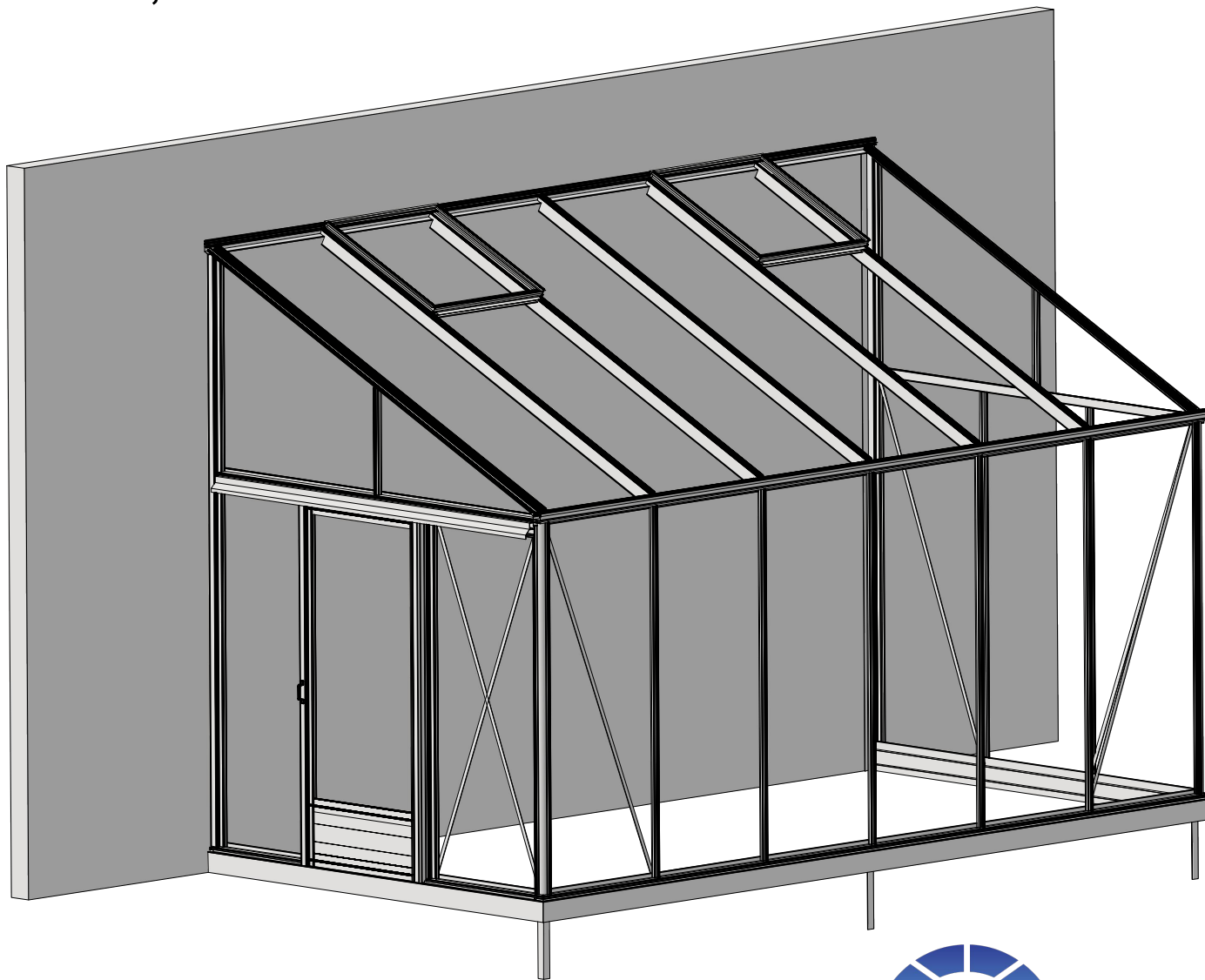
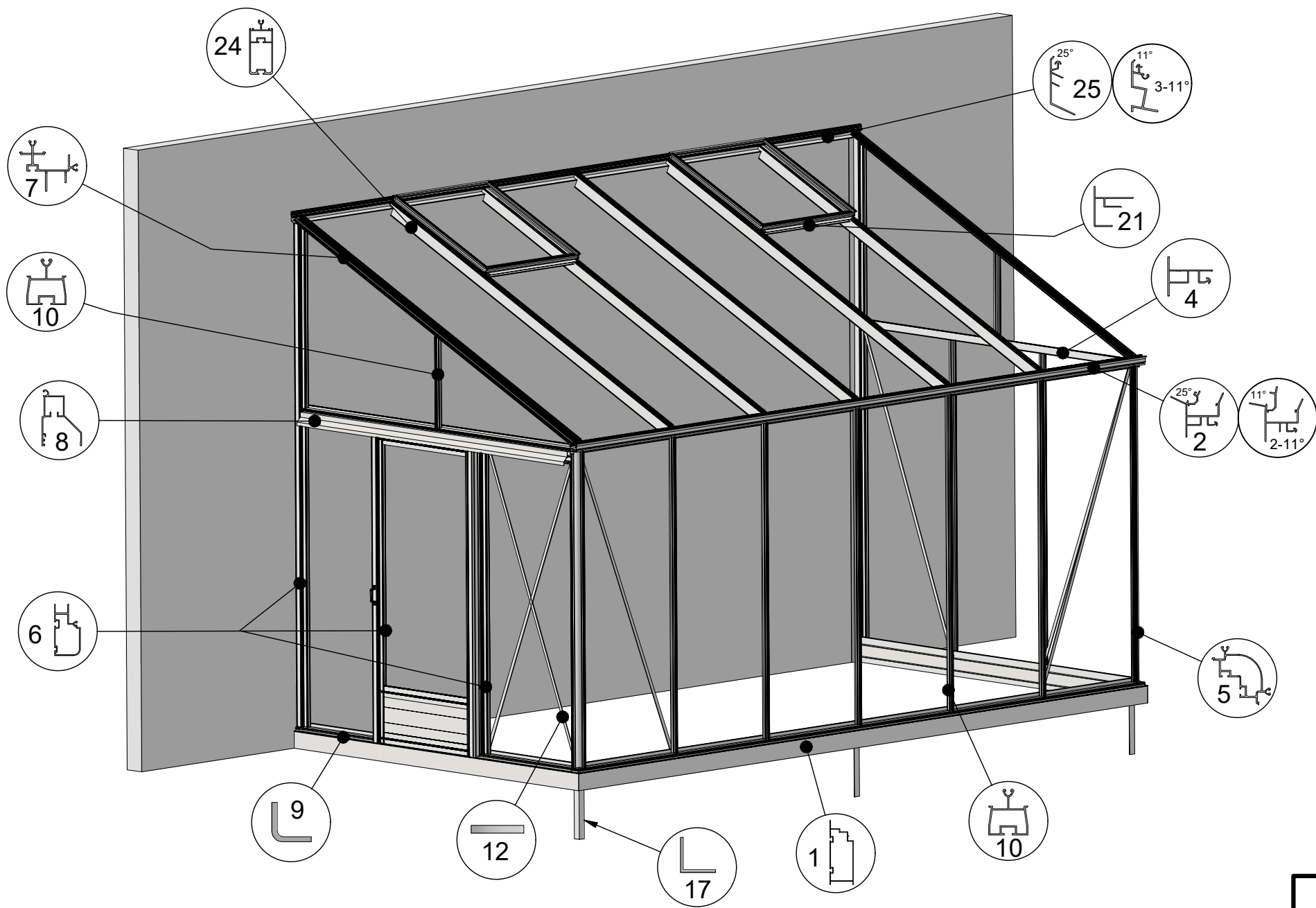



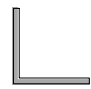
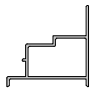

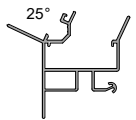
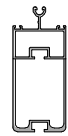


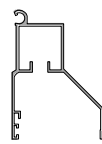

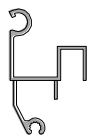
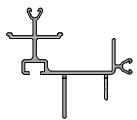
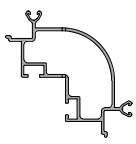
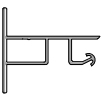
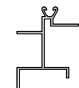
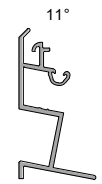
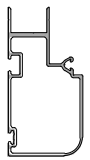

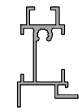
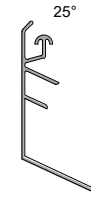
Euro-Muurserre 2,33



08-11-2023



Profile list

-	NR	Profile NR	-	NR	Profile NR	-	NR	Profile NR	-	NR	Profile NR
	2-11°	7151		17	L40/40/2		1A	17552		9	L15/15/2
	2	11788		24	10968		12	7070		21	29577
	8	7633		1	17538		18	17542		7	7151
	5	17548		4	17549		19	17543		3-11°	11280
	6	9915		10	17541		20T	28513		25	17666

- Attention! Check inside the foundation for more profiles.
- Please fasten screws and nuts hand-tight.

- Achtung! Prüfen sie das fundament für weitere profile.
- Schraube und Mutter bitte handfest festziehen.

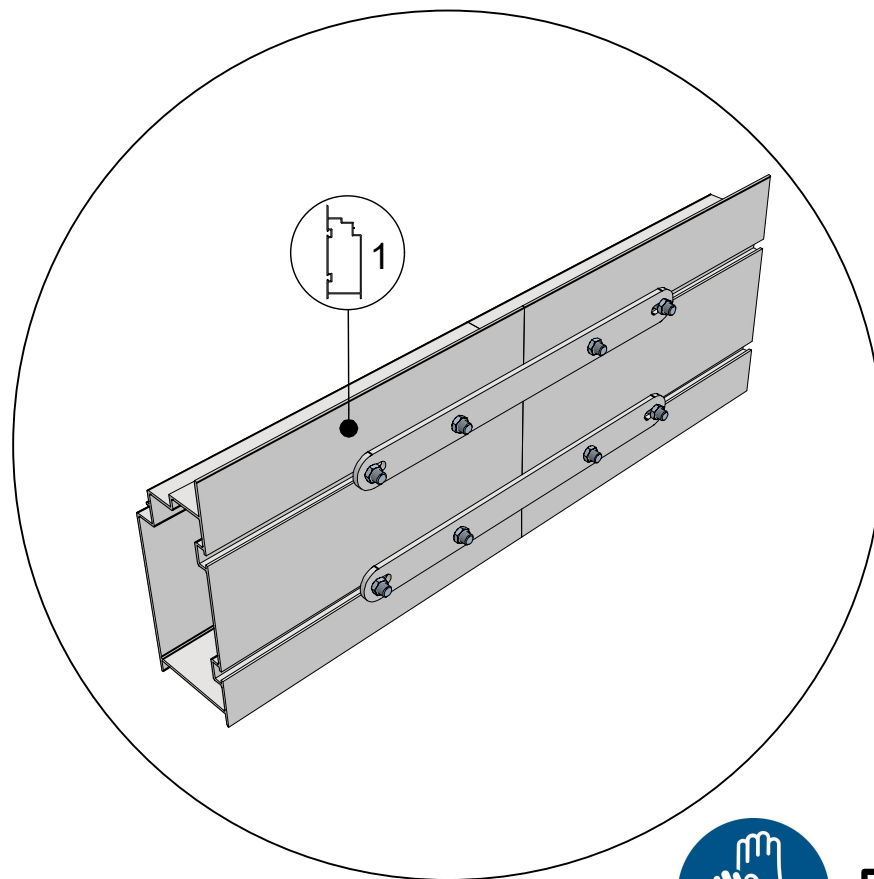
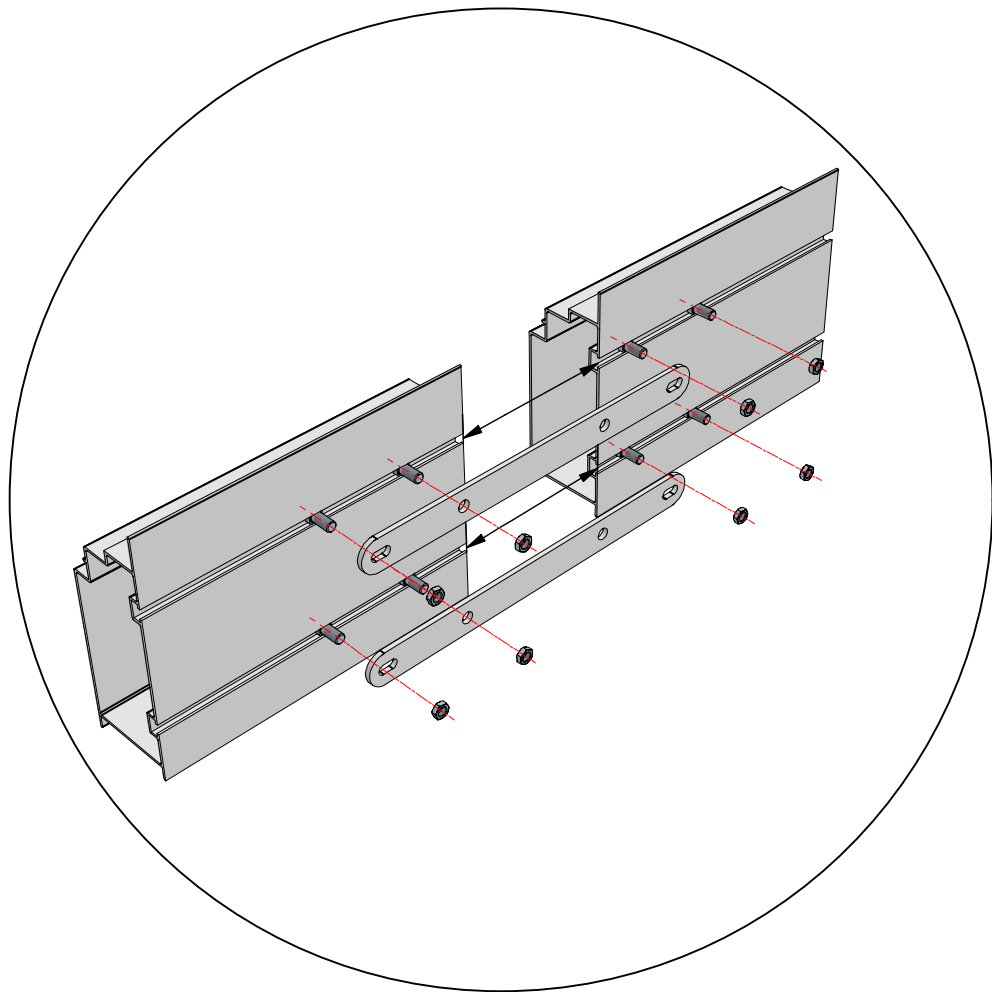
- Opgelet! kijk in de fundering voor andere profielen.
- Bout en moer a.u.b. handvast aandraaien.

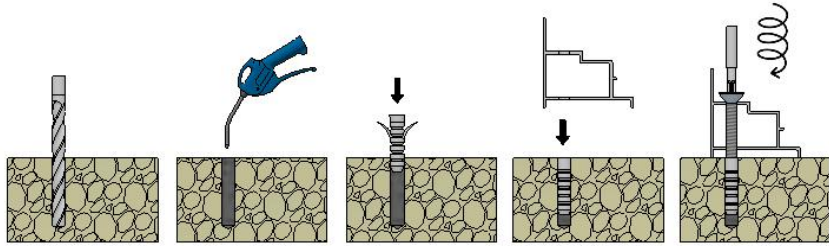
- Attention! Regarde à l'intérieur du fondation pour plussier profils.
- Serrez les écrous et vis à la main s.v.p.

- Observera at en del profiler ligger i sockelprofilen!!
- Dra åt skruven och muttern handfast.

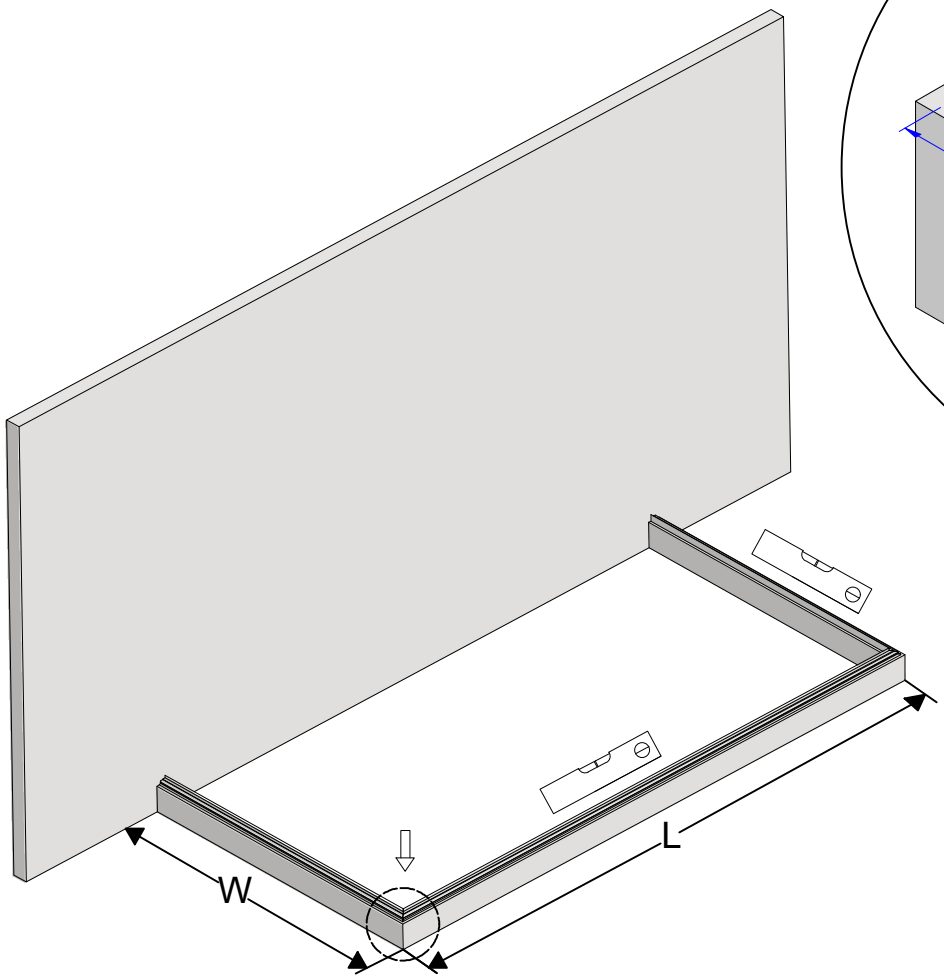
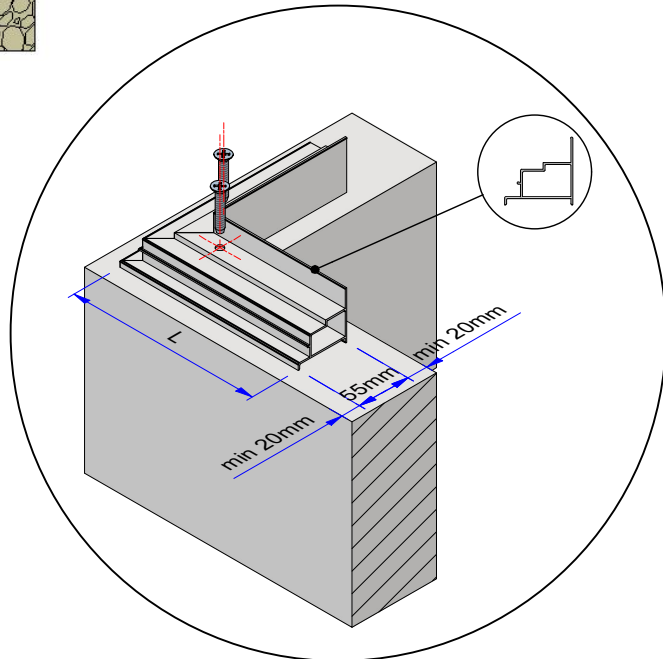
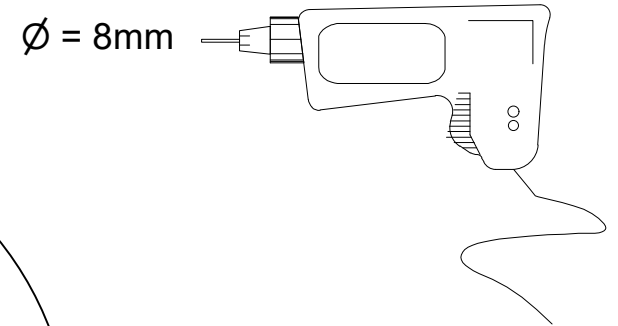
Euro-Muurserre > 6,04 M

 = M6x12 (8x)






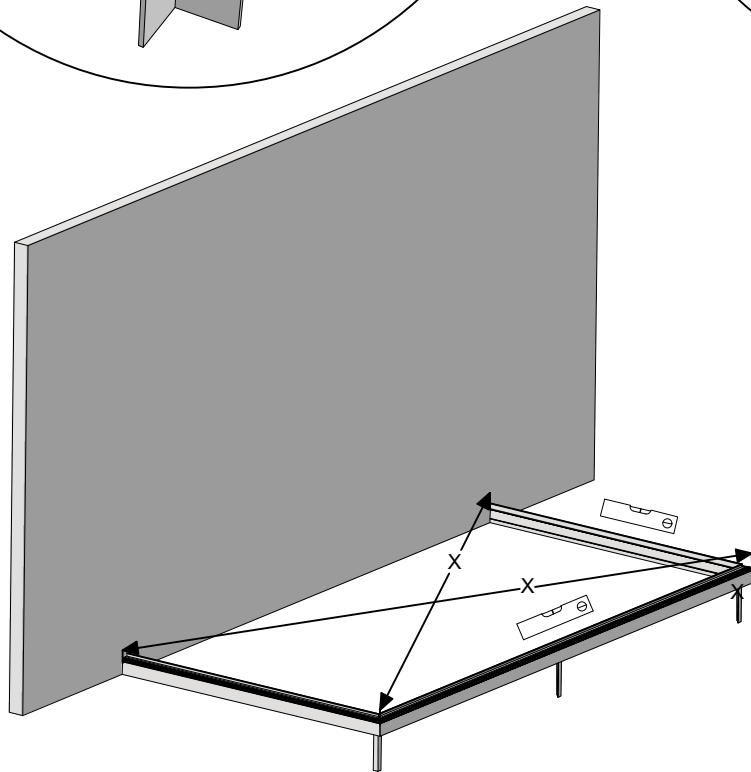
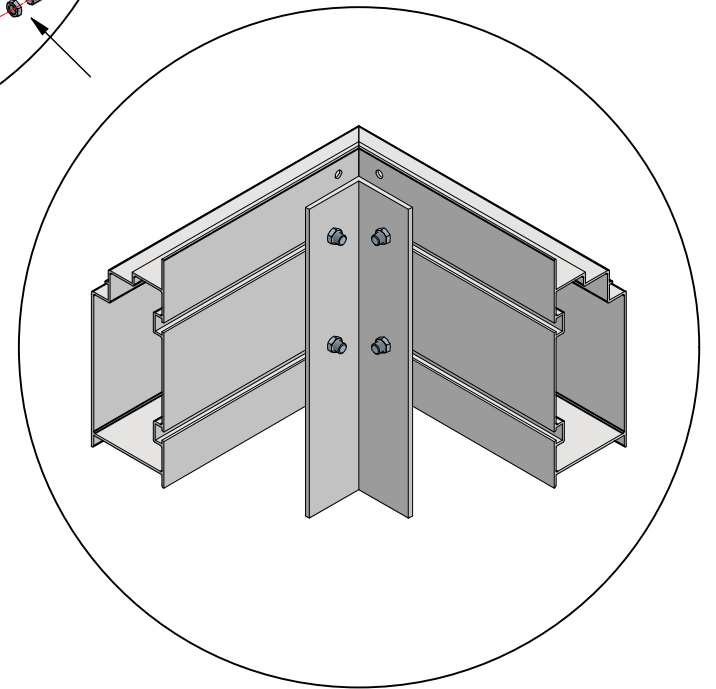
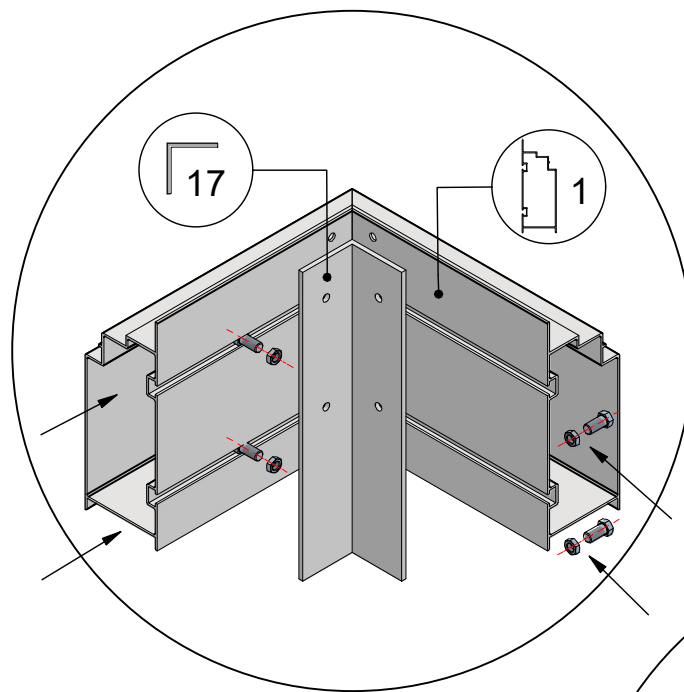
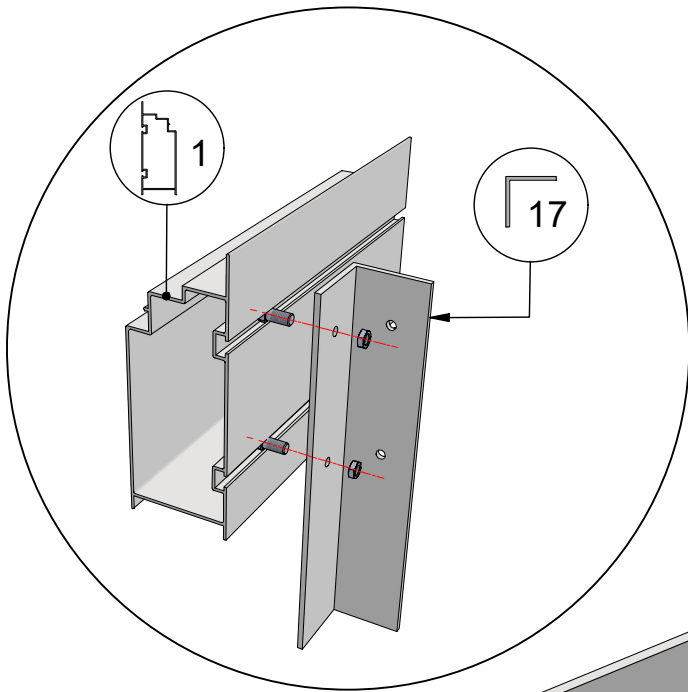
= 8x40 = 6x120

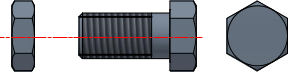


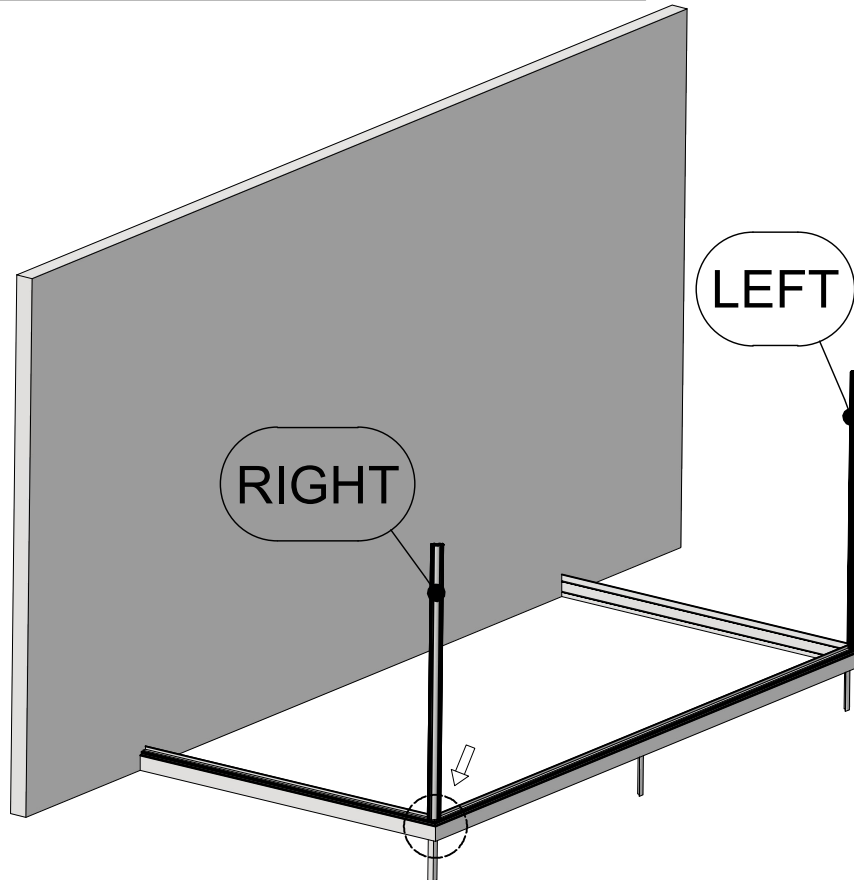
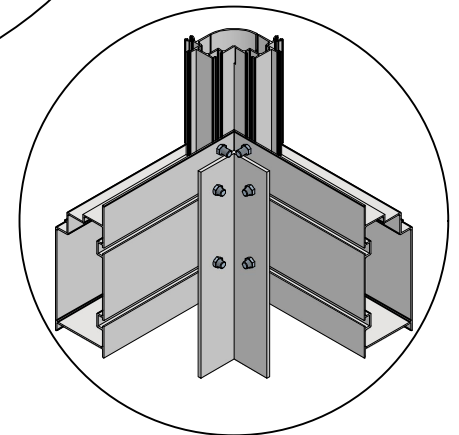
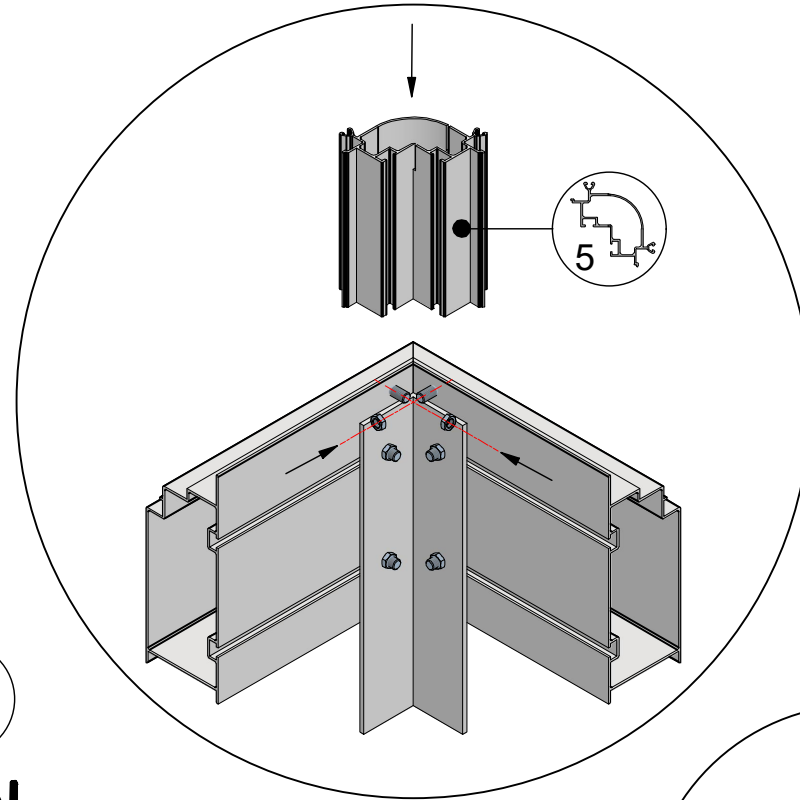
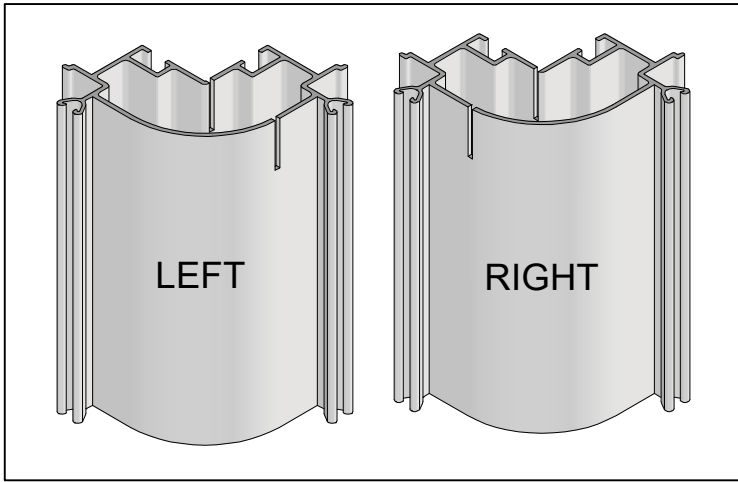
W	L
2329	2347
	3084
	3821
	4558
	5295
	6032
	6769
	7506
	8243
	8980

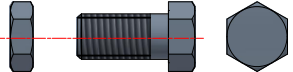


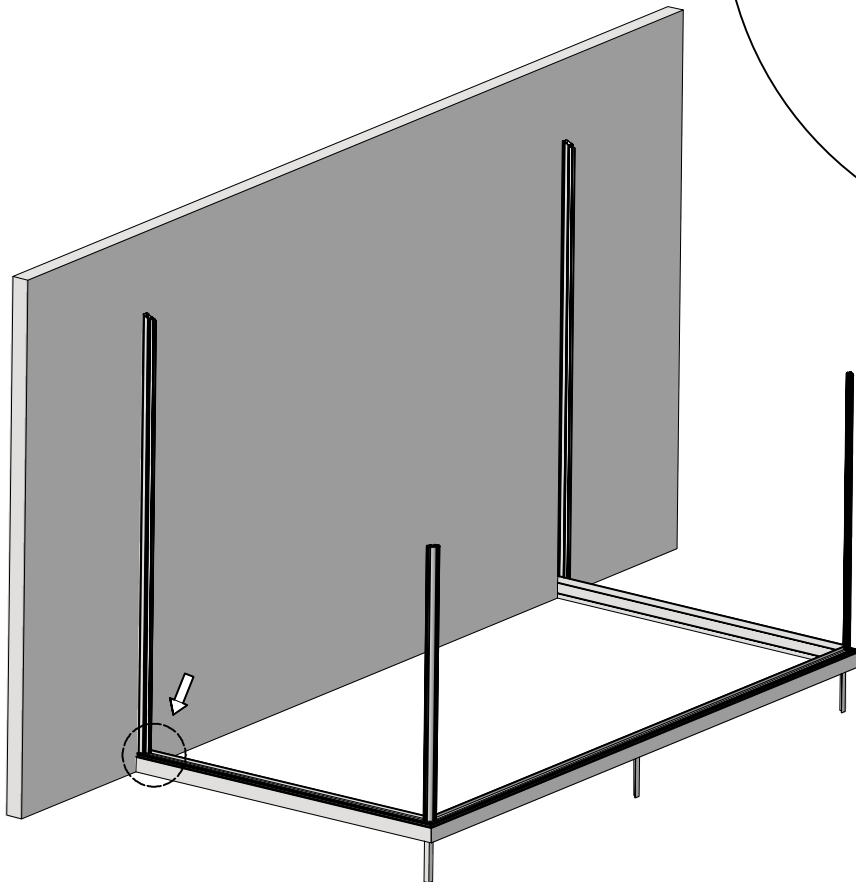
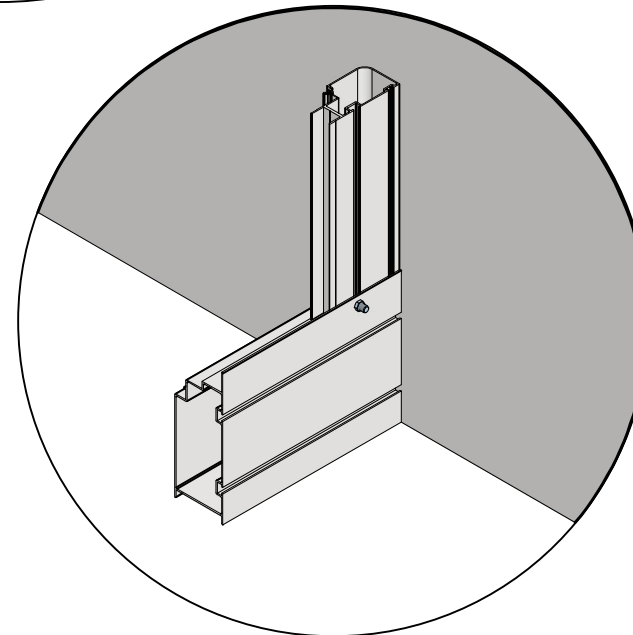
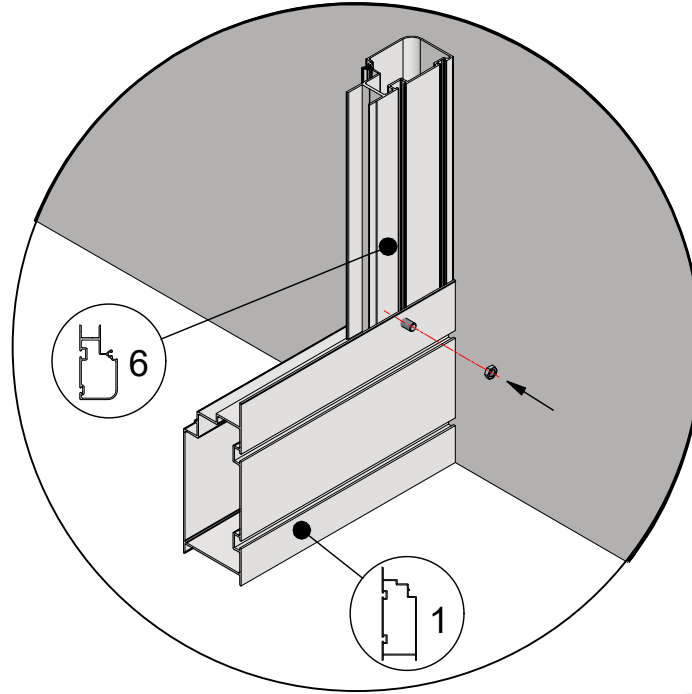
 = M6x12

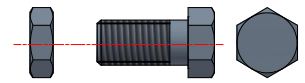


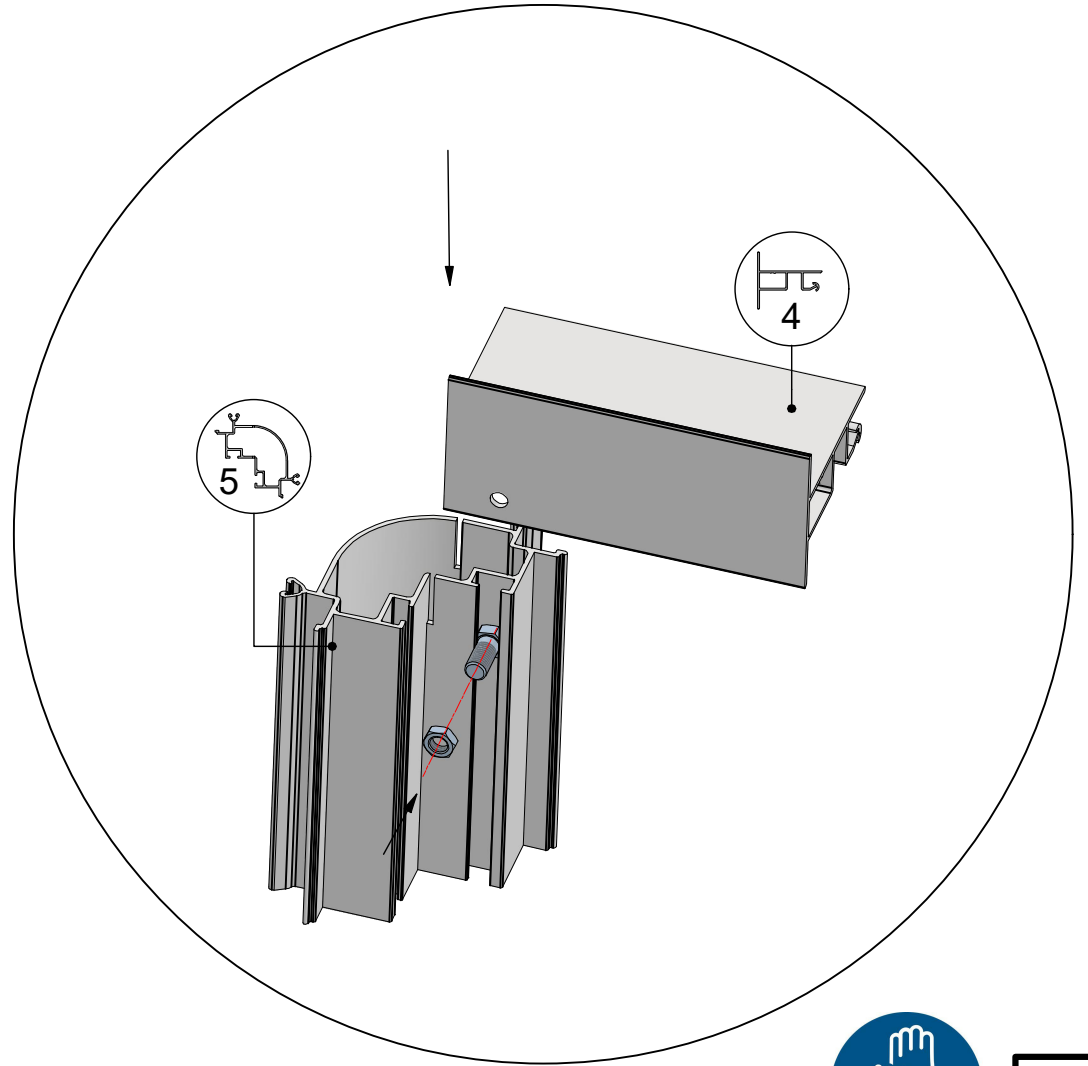
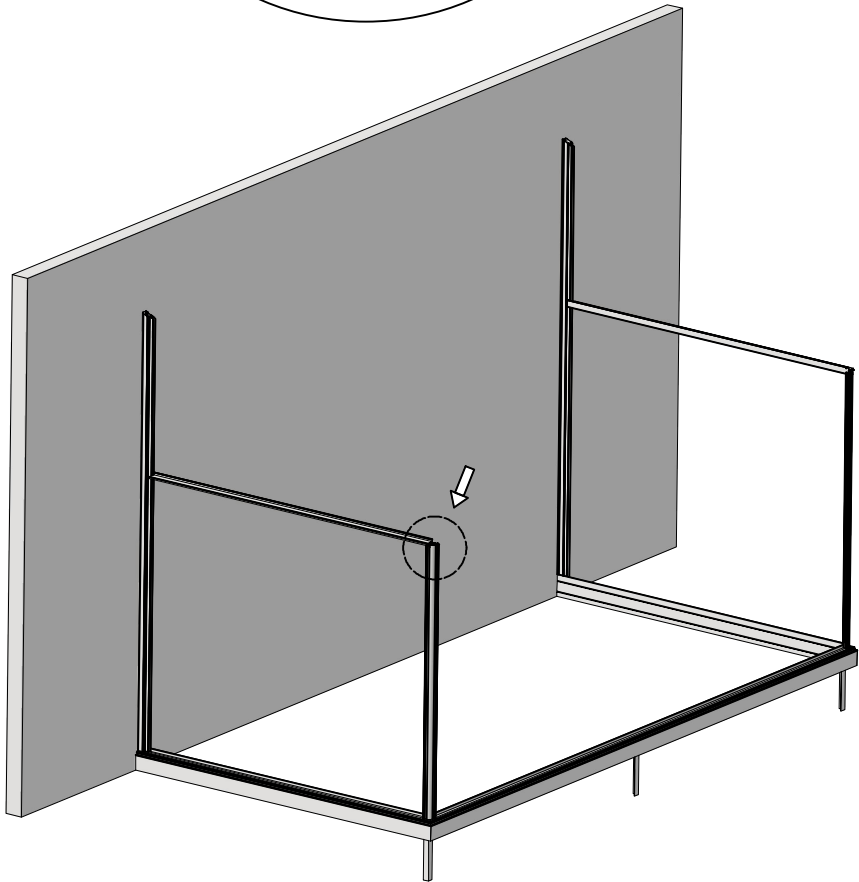
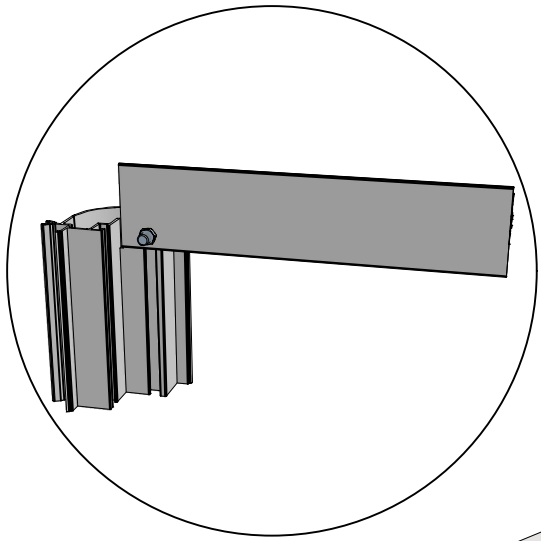
 = M6x12




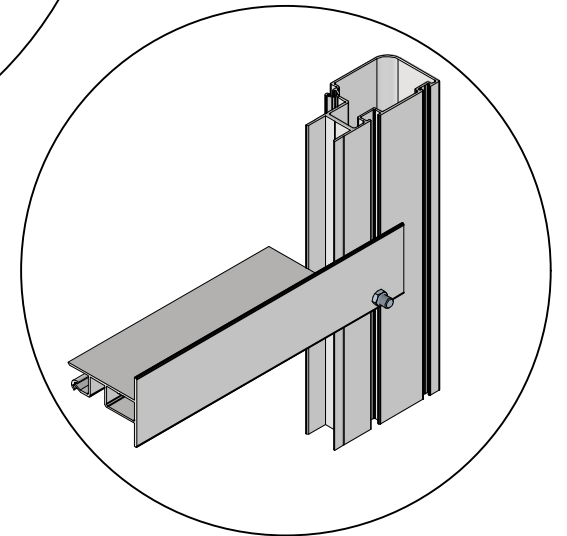
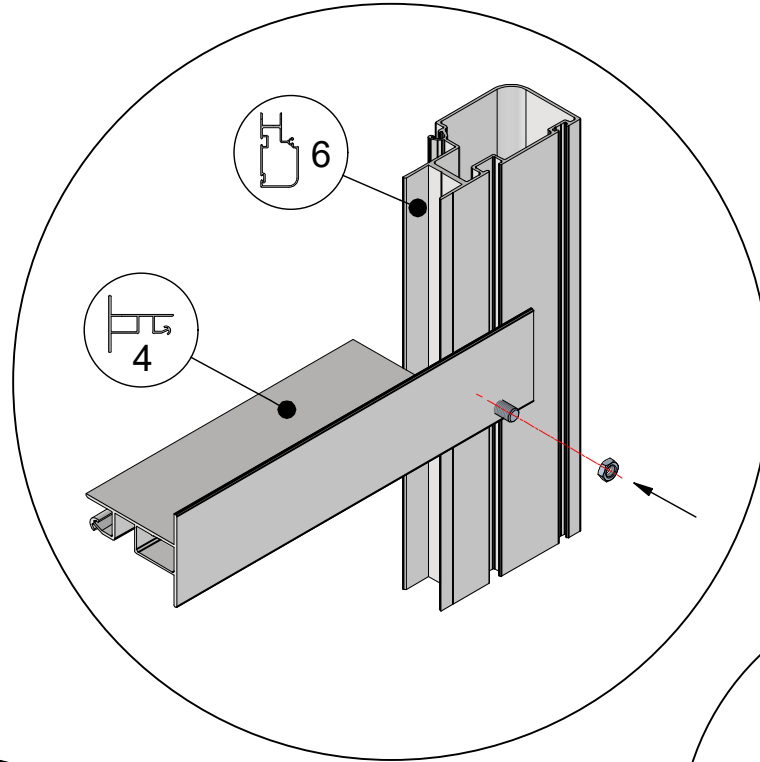
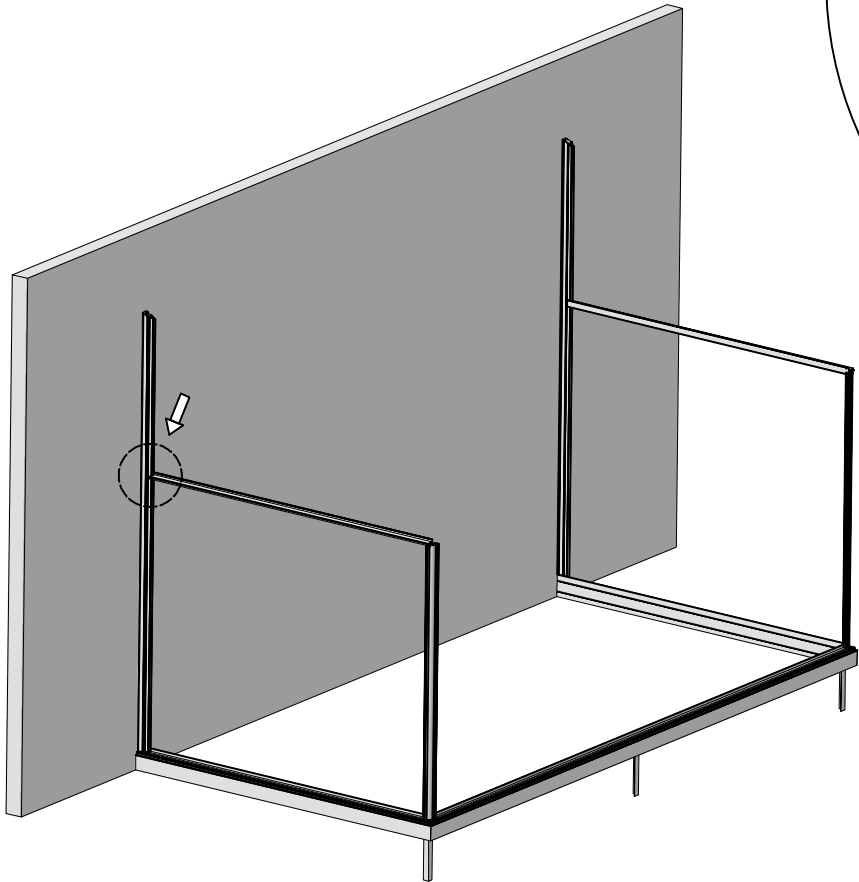
 = M6x12



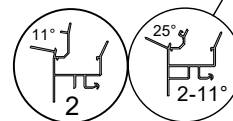
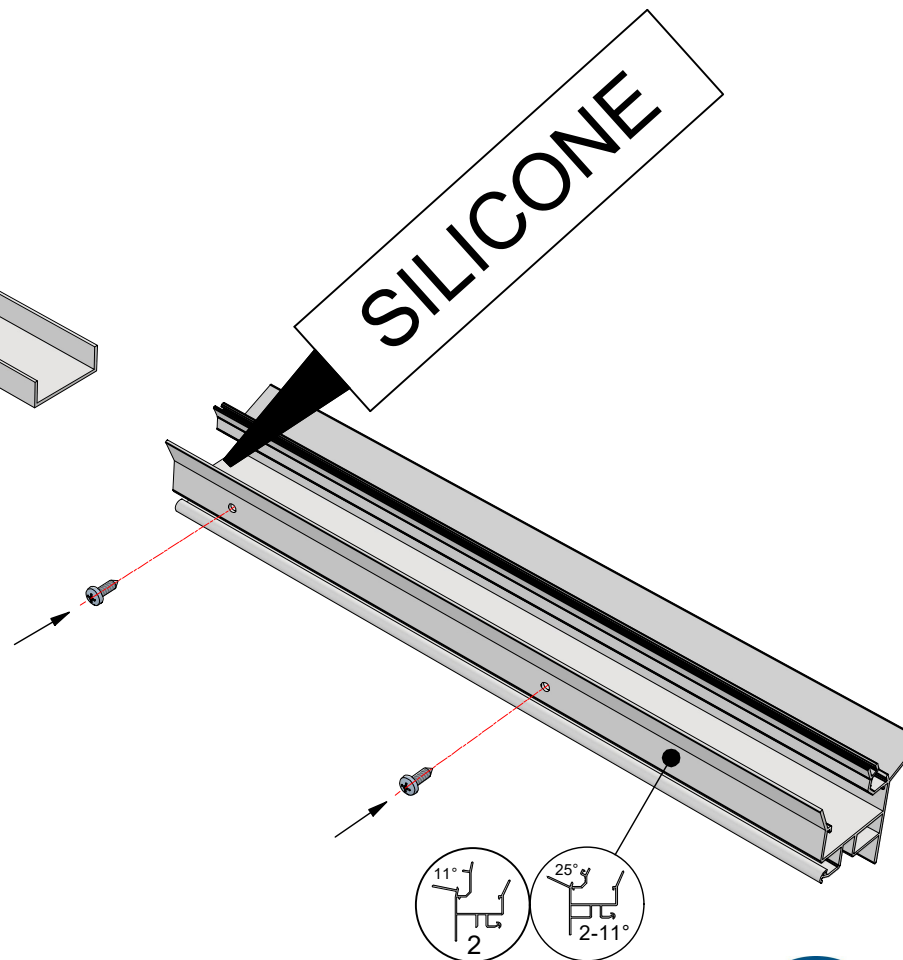
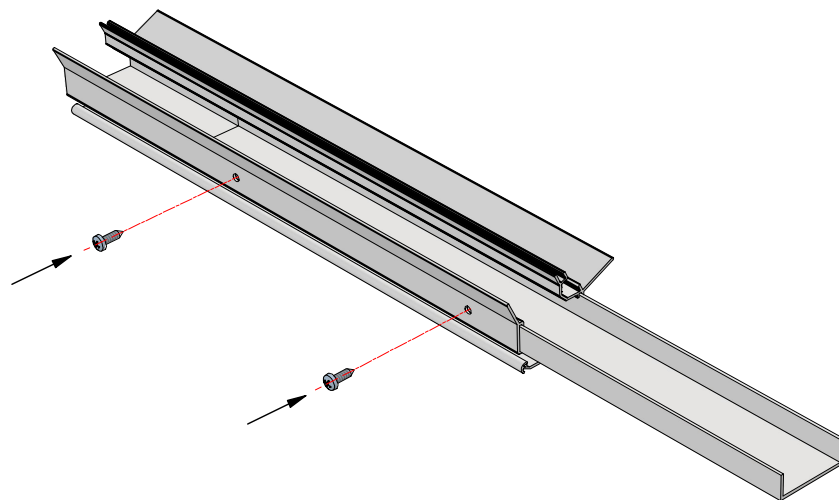
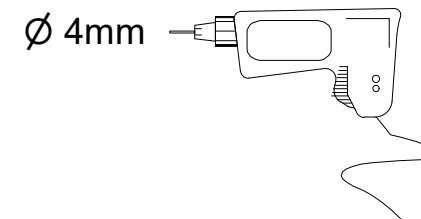
 = M6x12



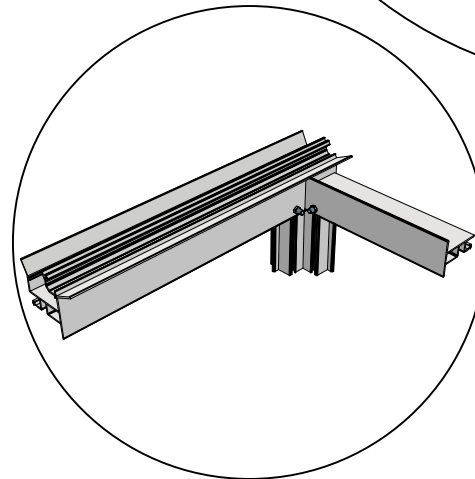
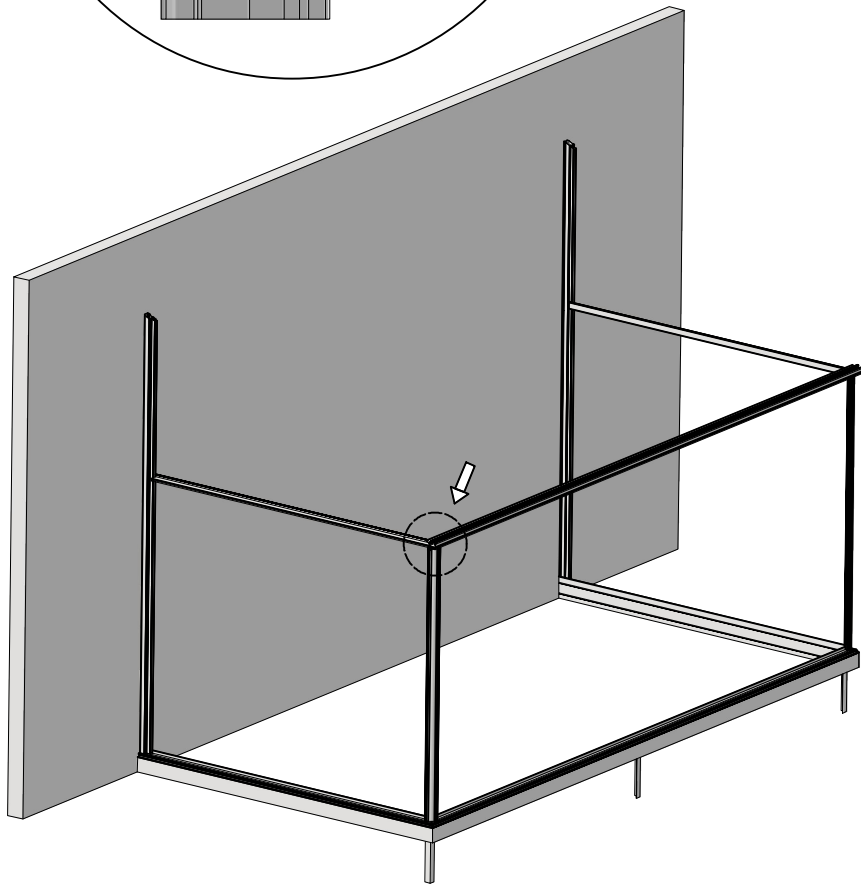
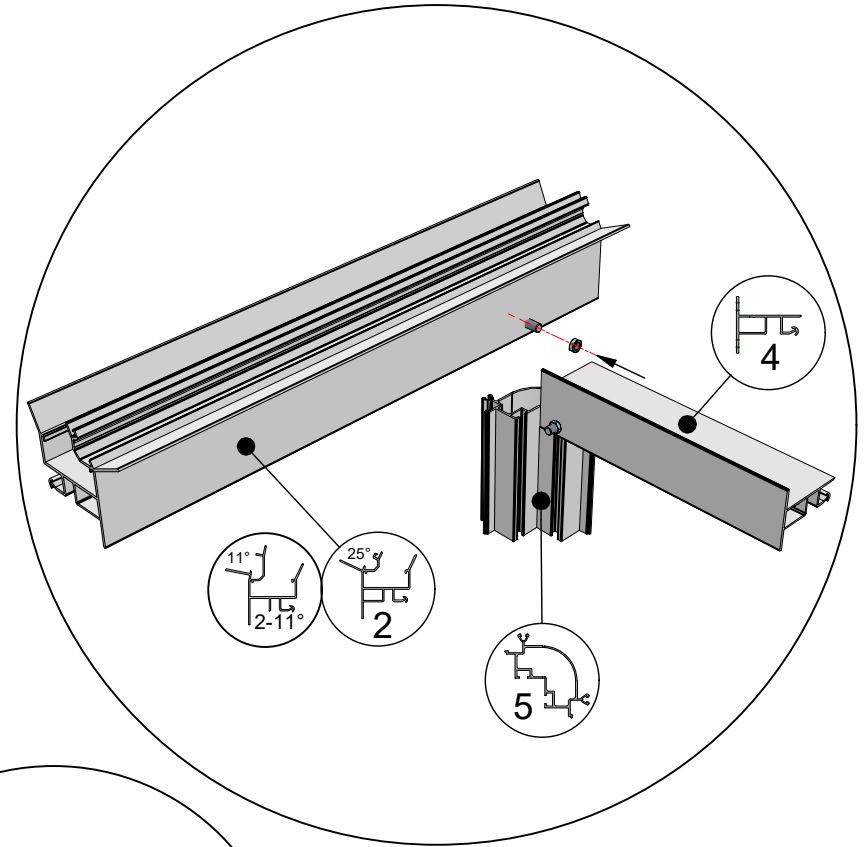
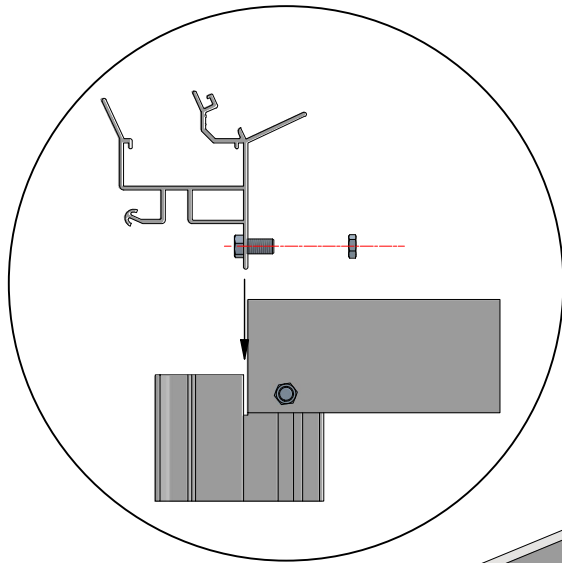
 = M6x12




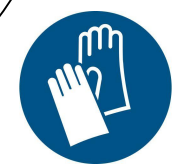
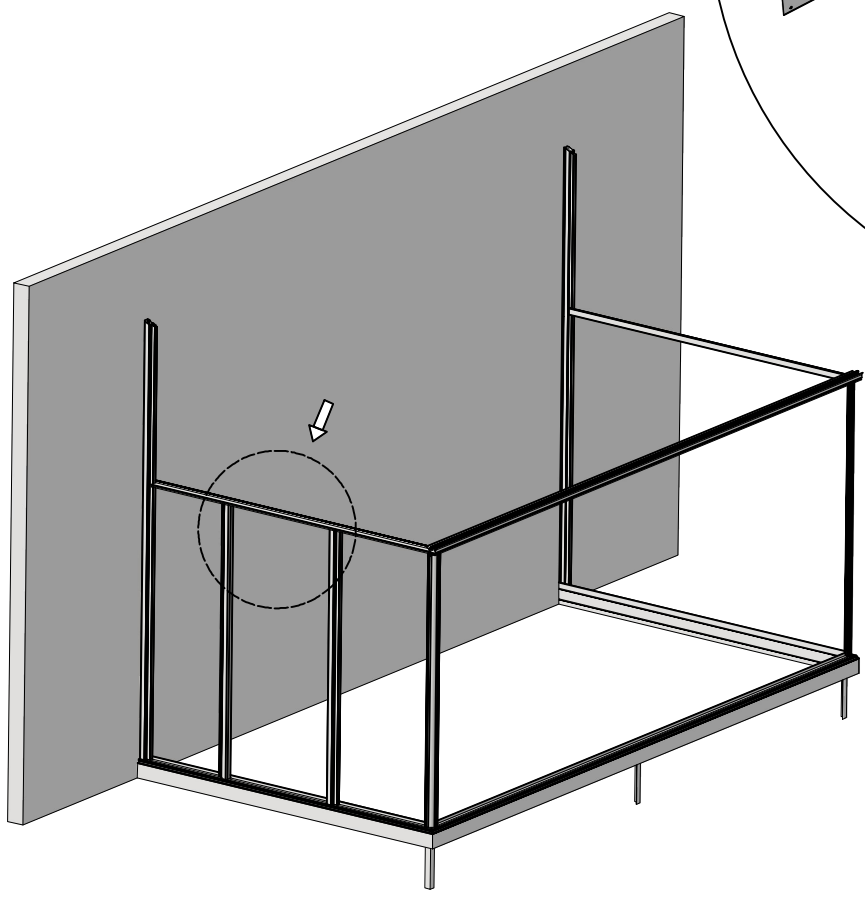
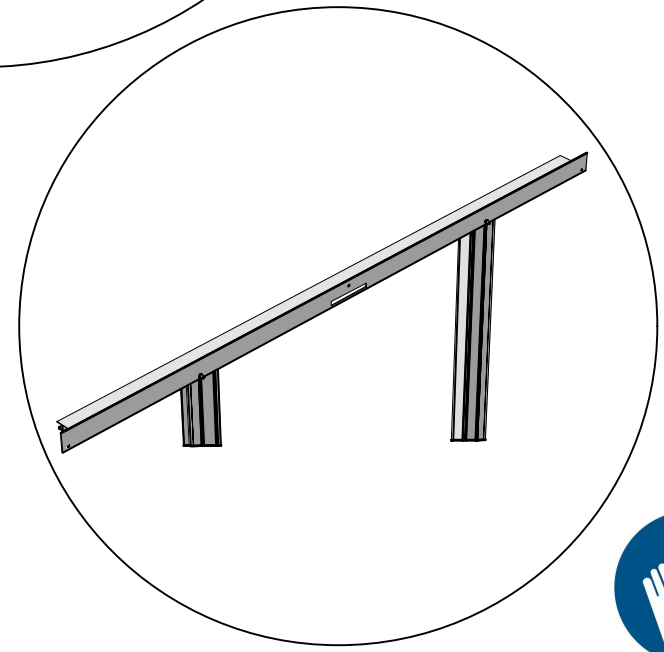
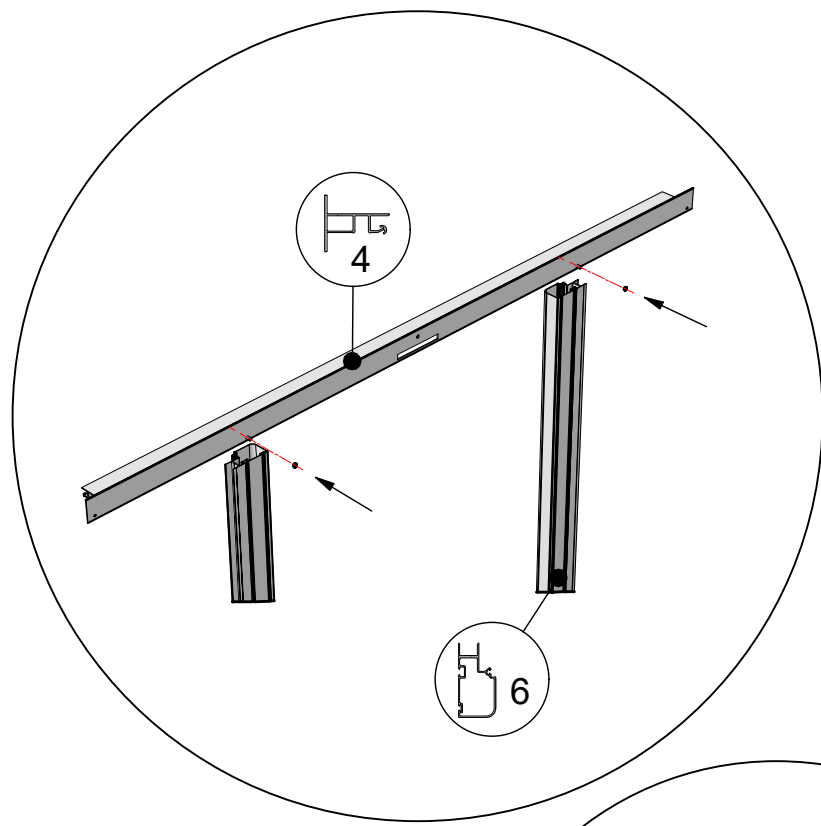
Euro-Muurserre > 6,04 + 6,77 + 7,53 + 8,30

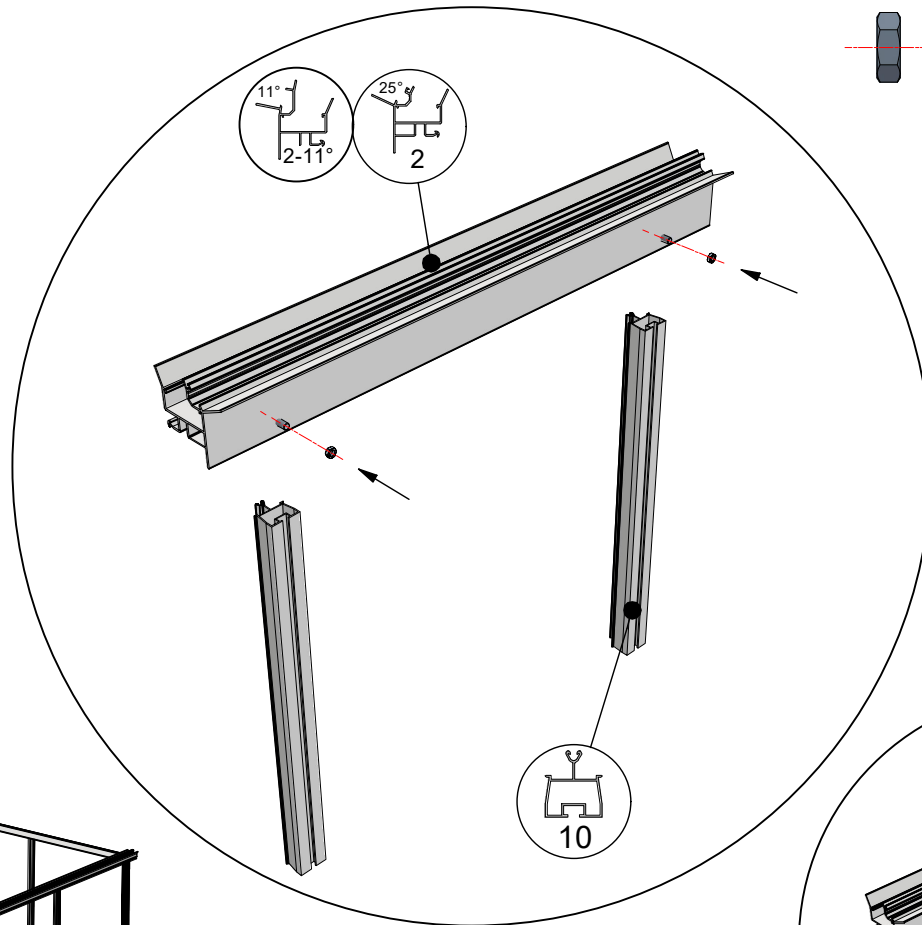
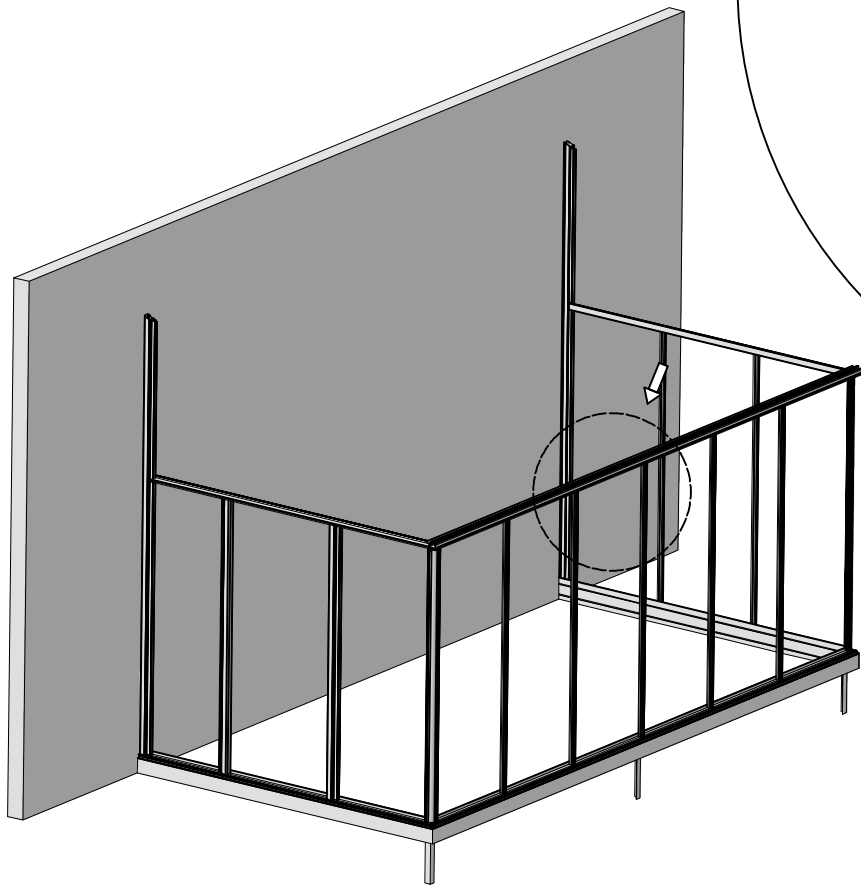



 = M6x12 (4x)

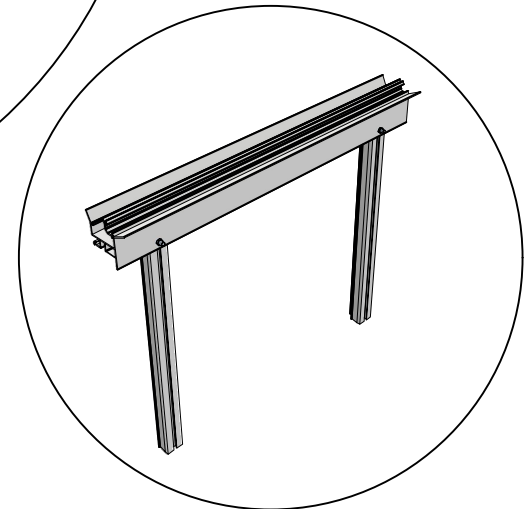


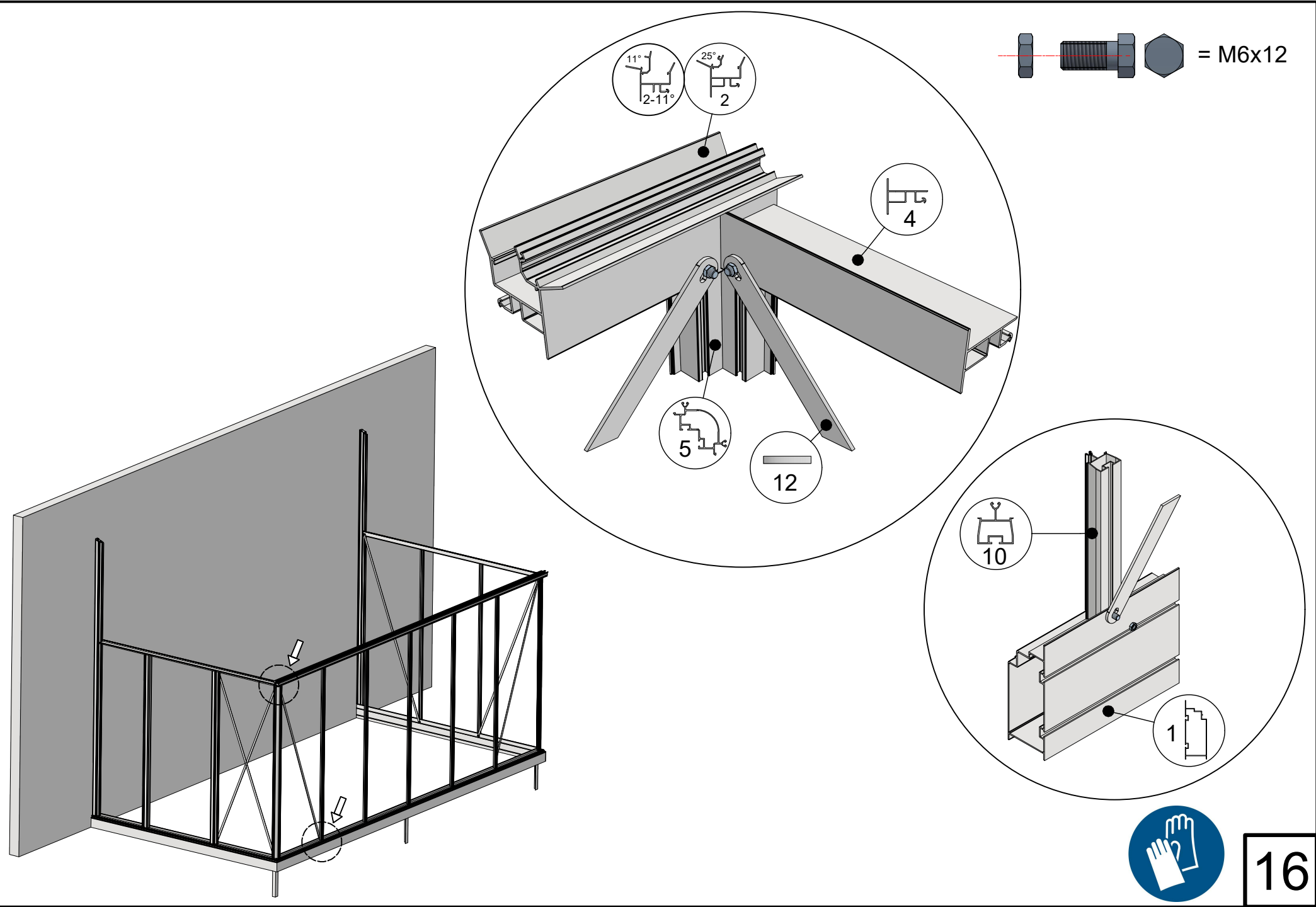
 = M6x12




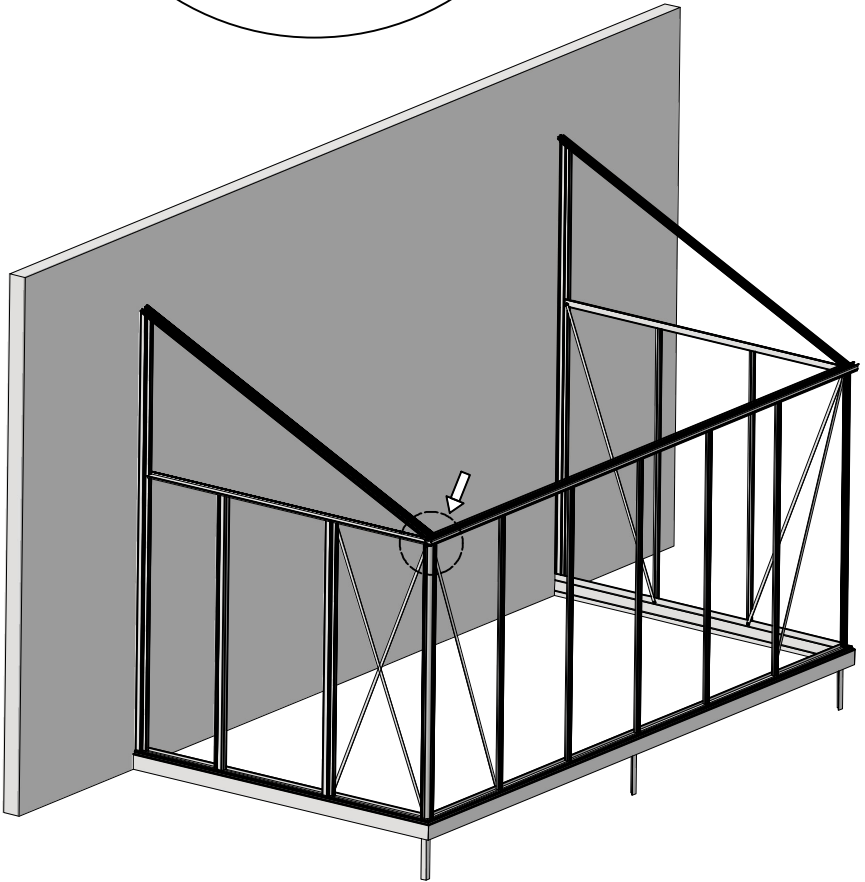
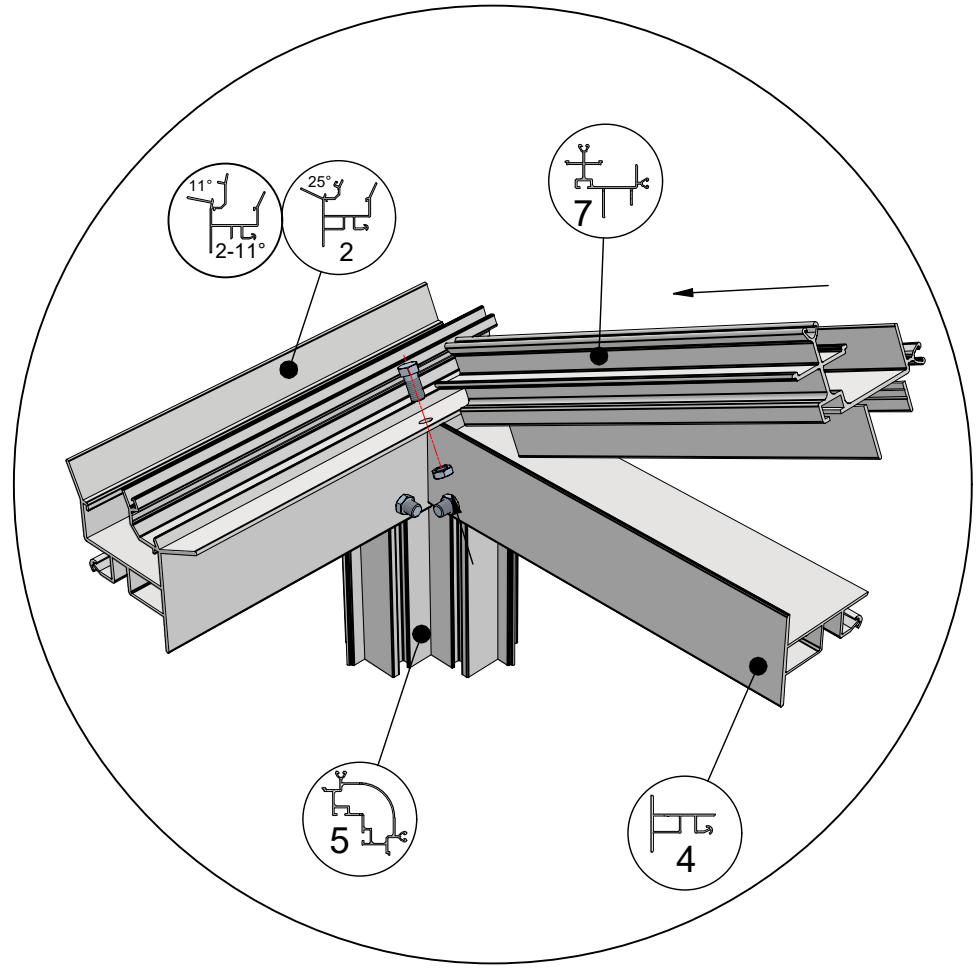
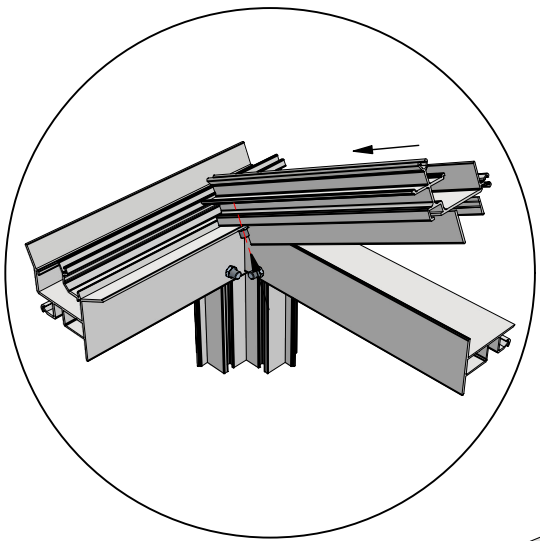


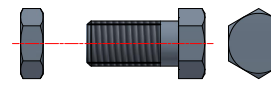
 = M6x12

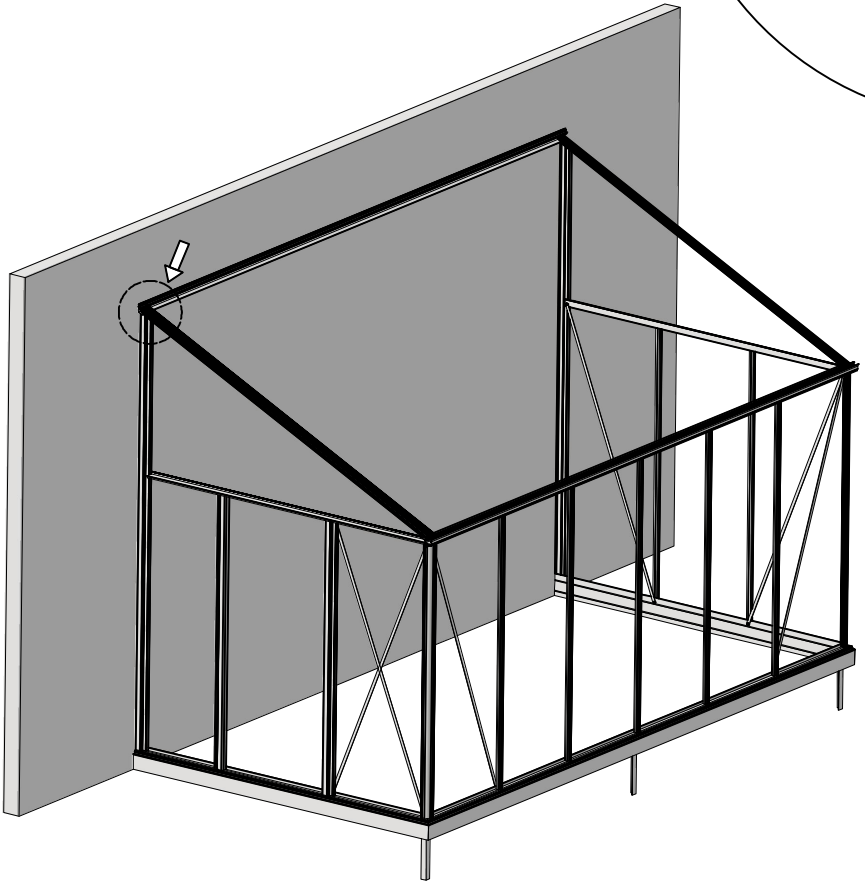
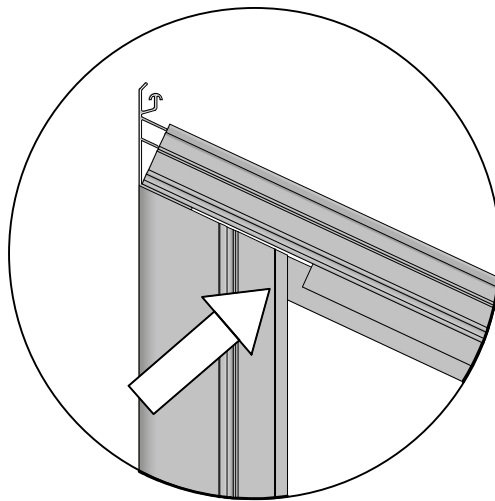
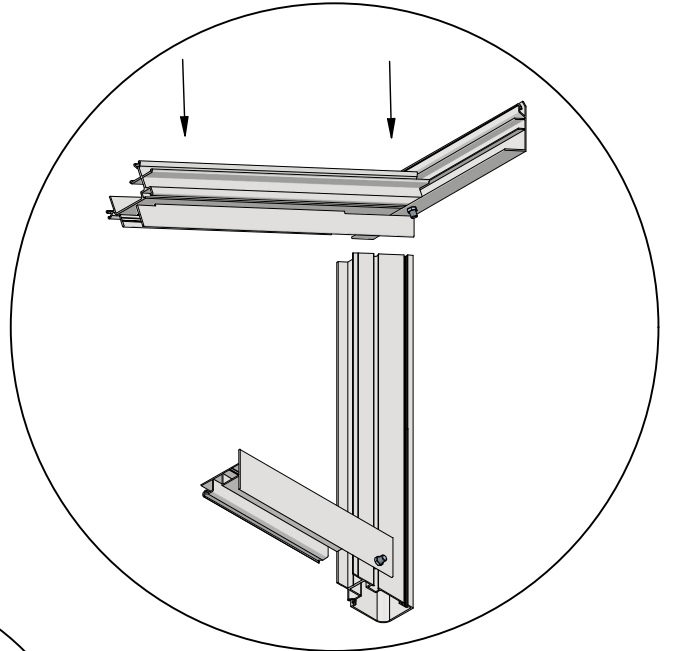
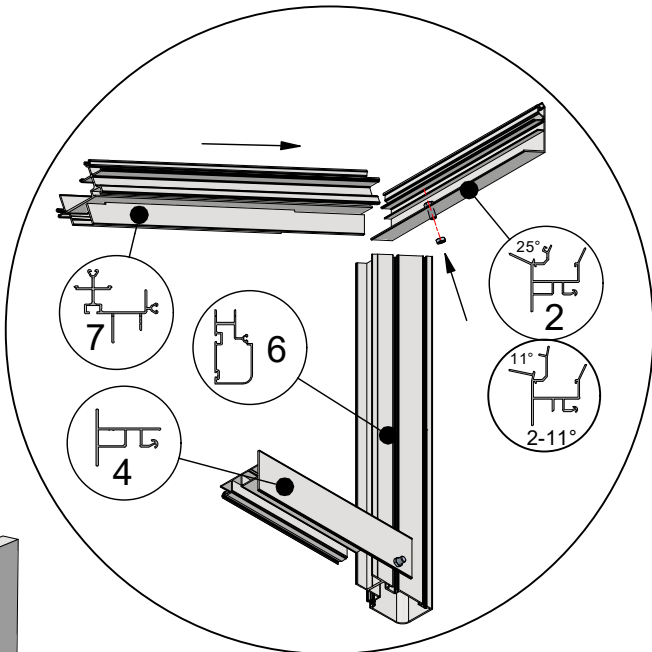


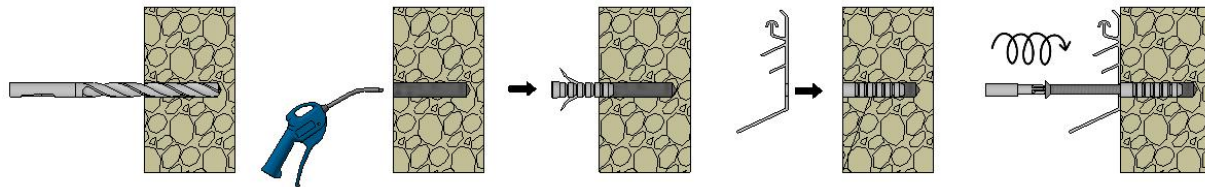


 = M6x12

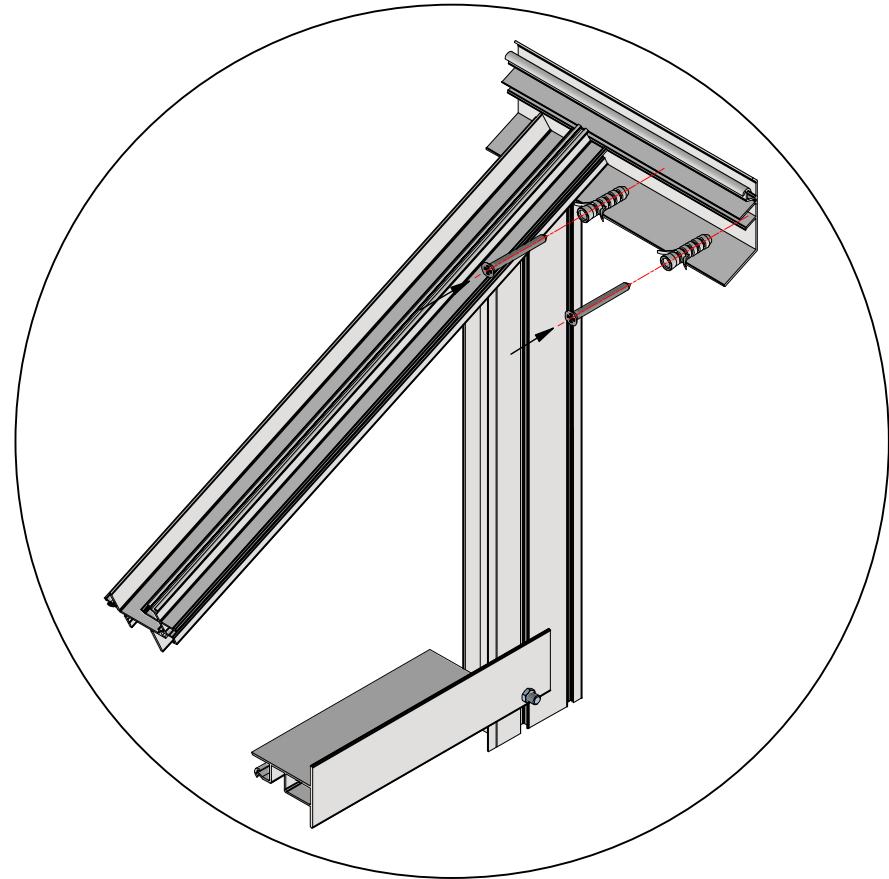
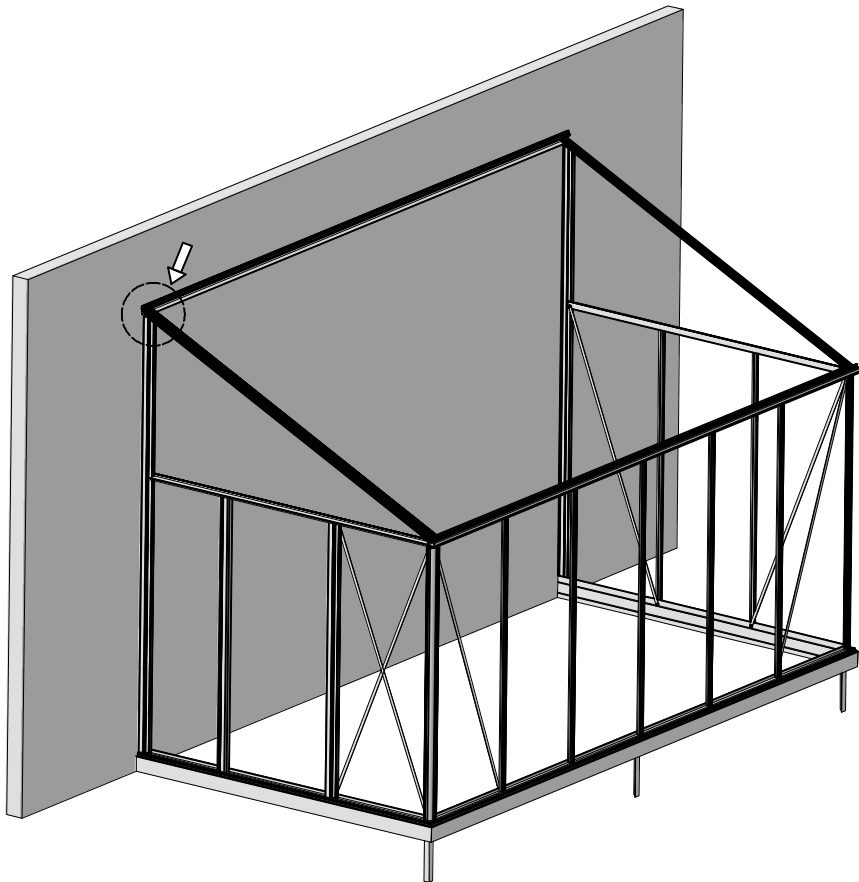
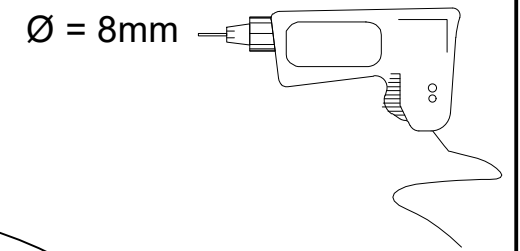


 = M6x12

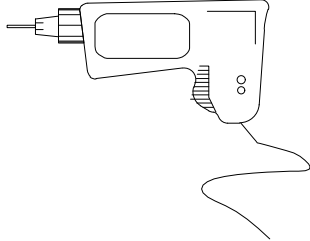


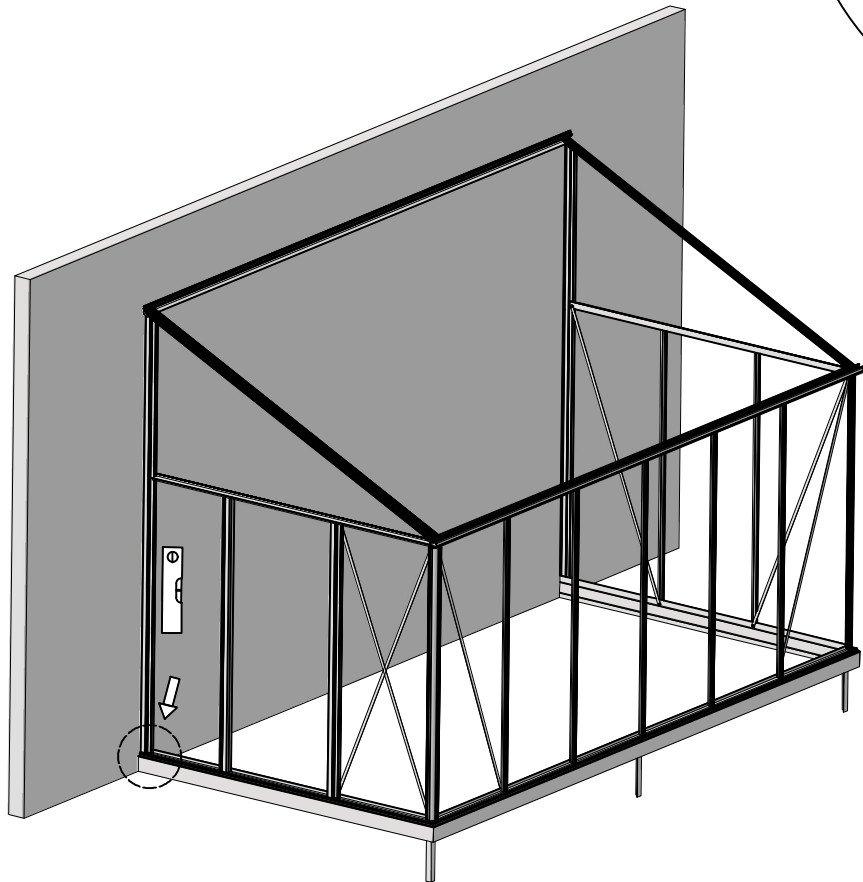
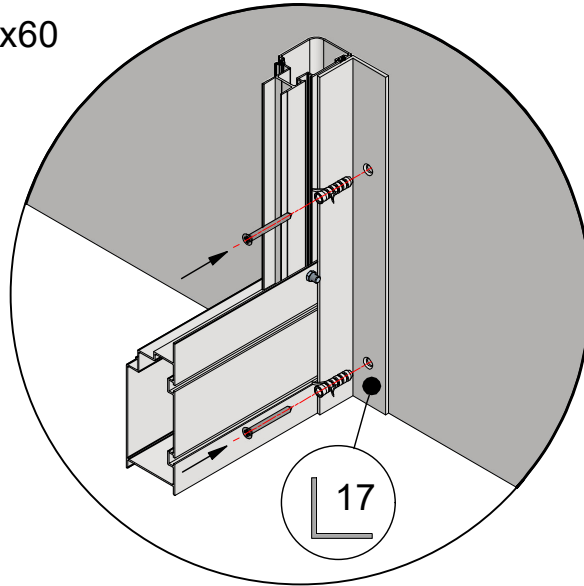


 = 8x40  = M5x60 

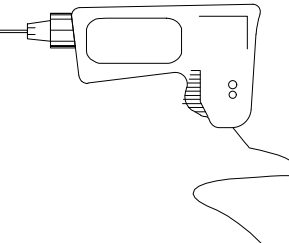


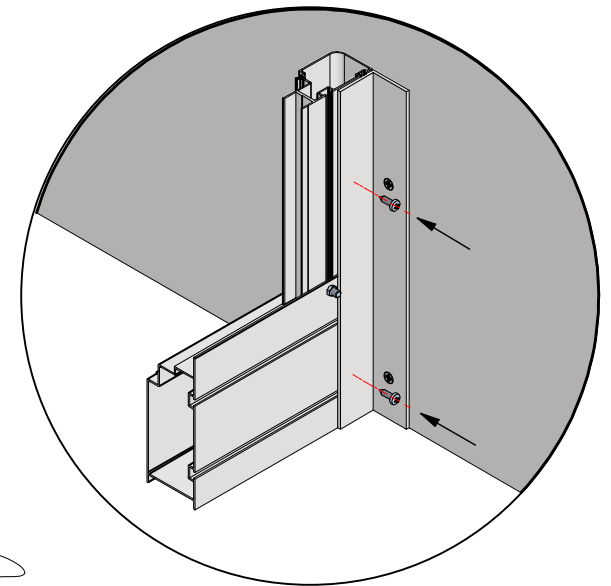
 = 8x40   = M5x60

Ø = 8mm 

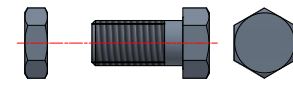


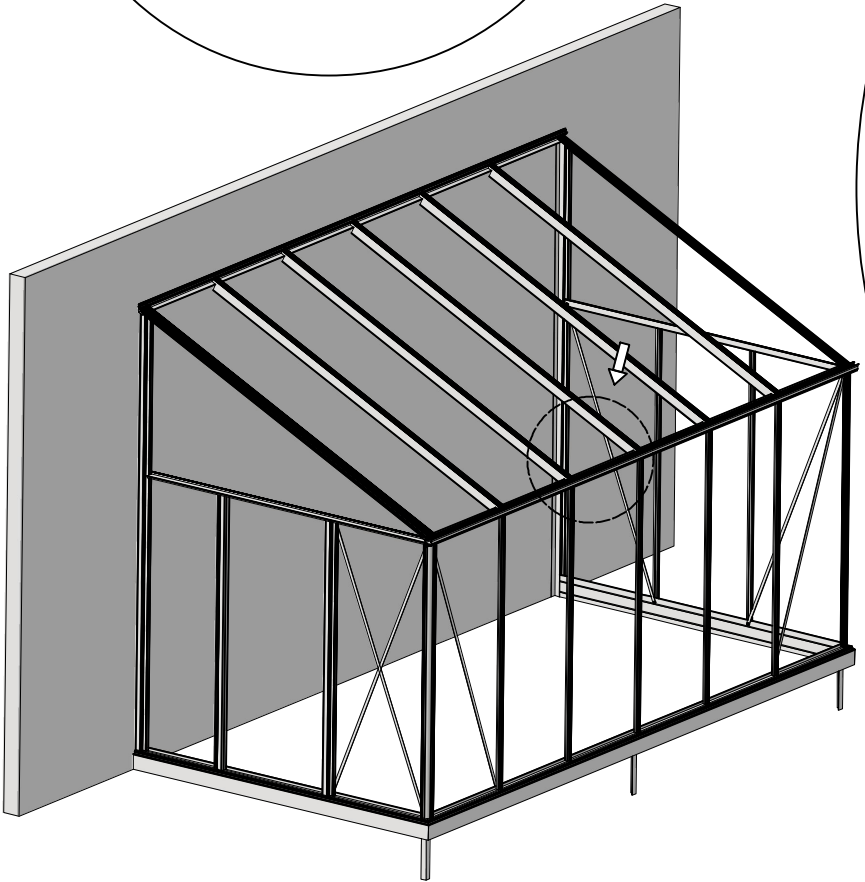
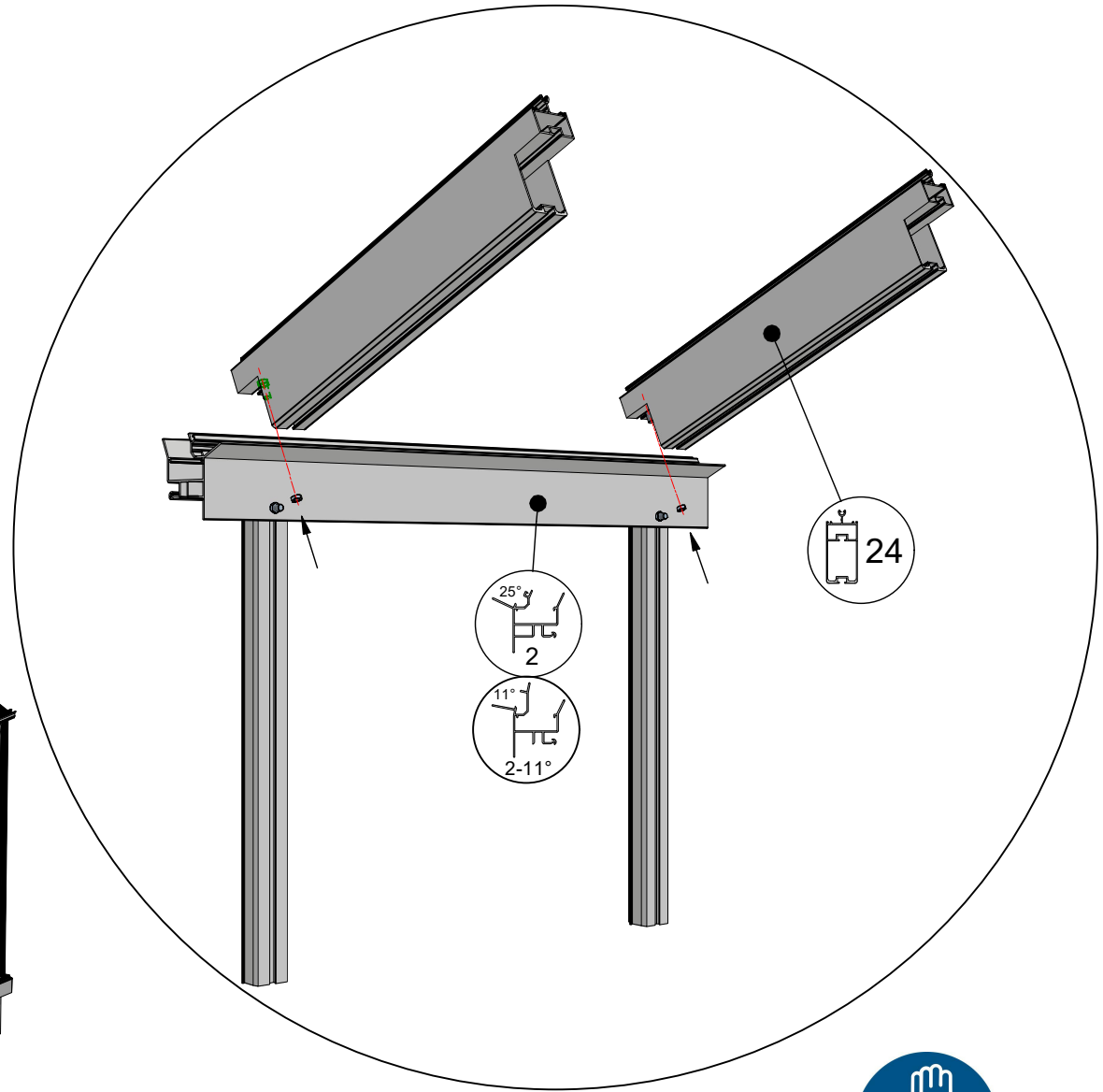
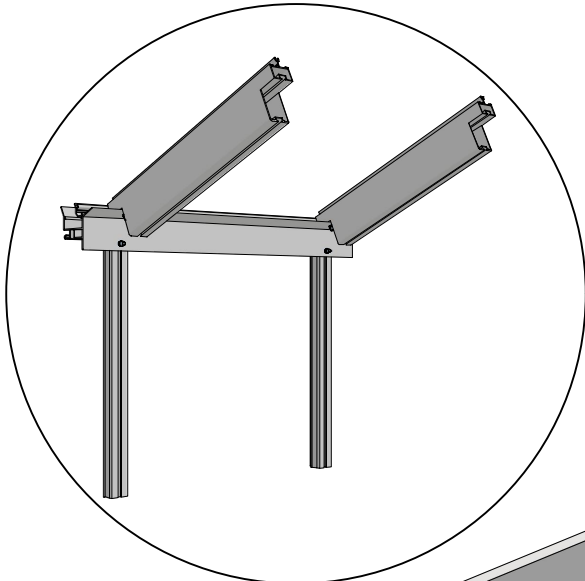
  = 4,8x16

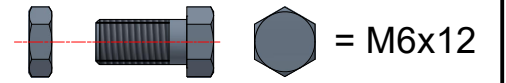
Ø = 4mm 

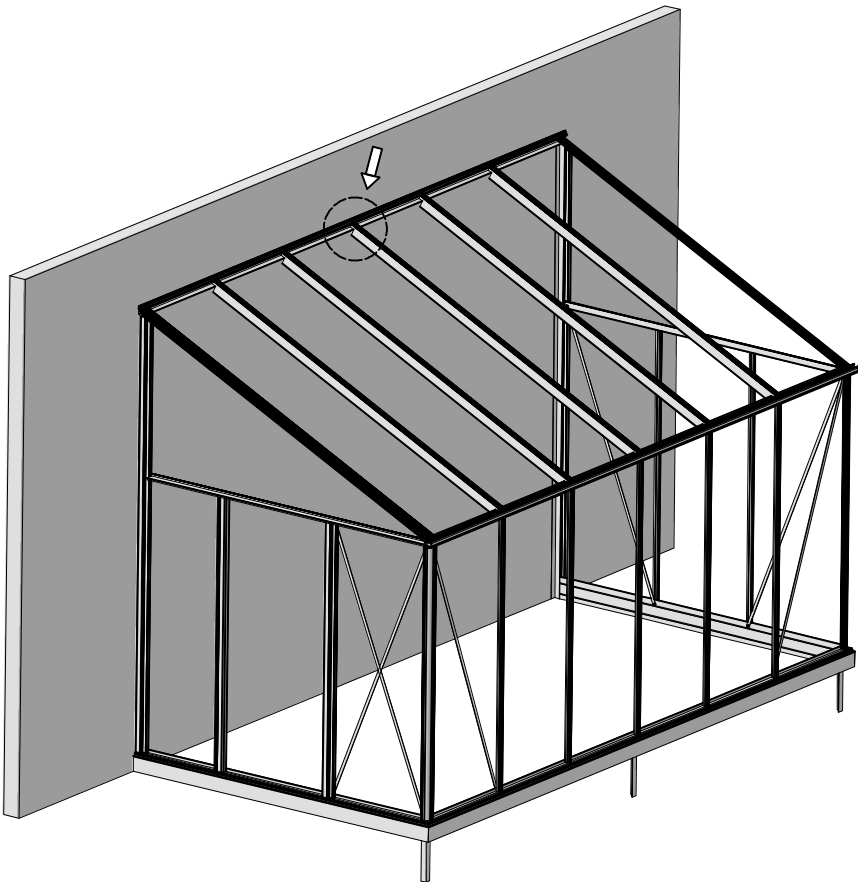
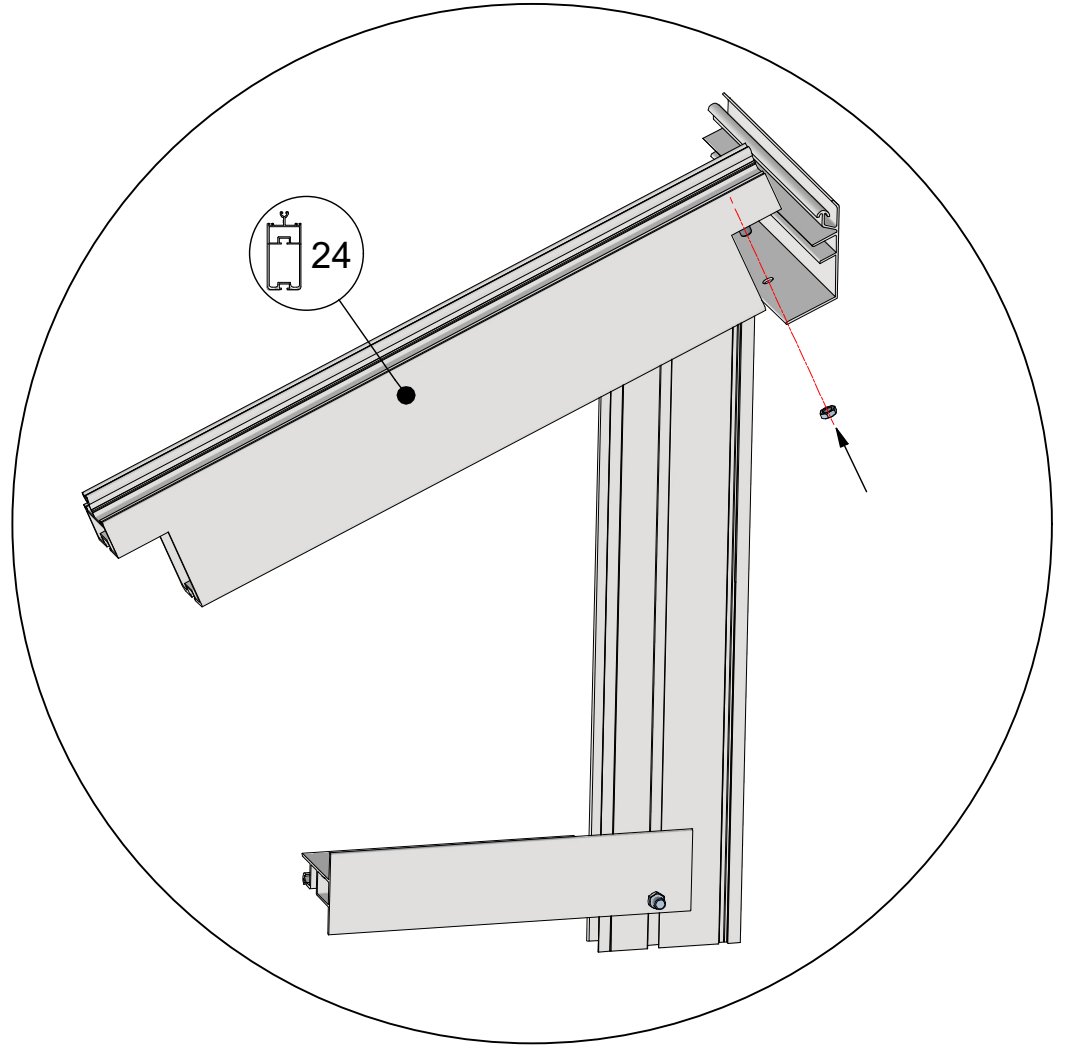
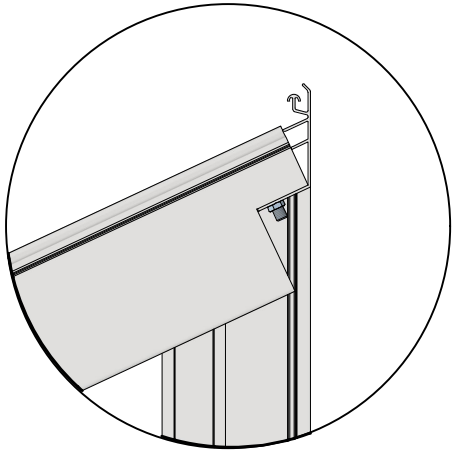


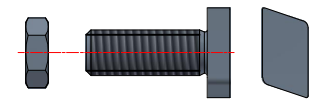
20

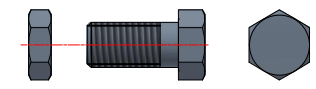
 = M6x12

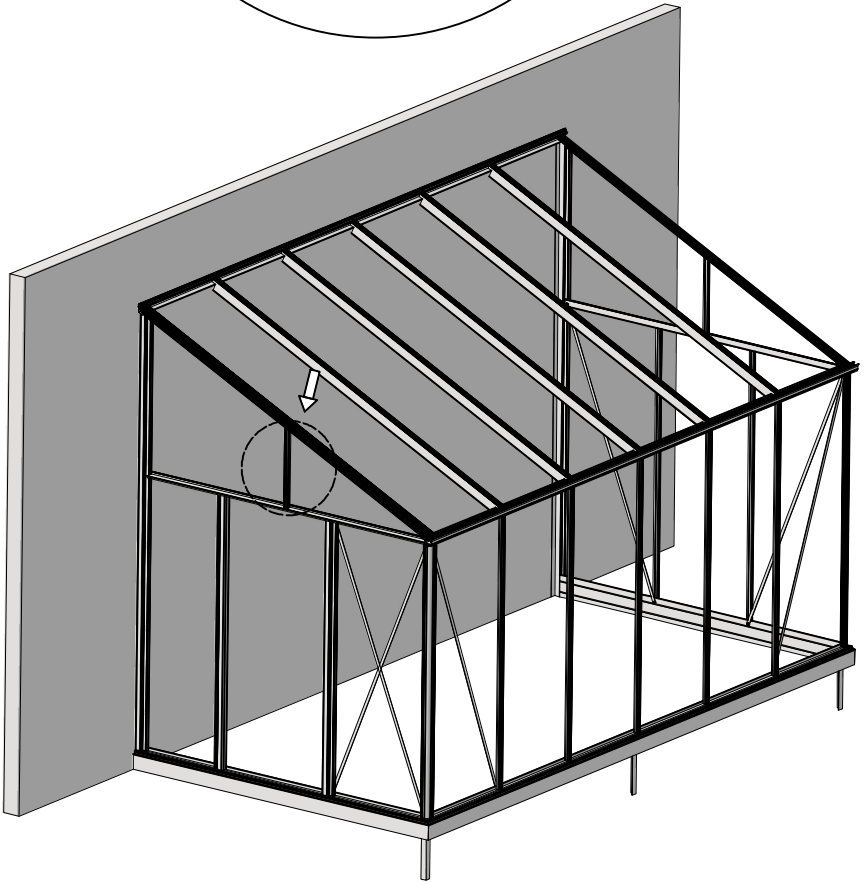
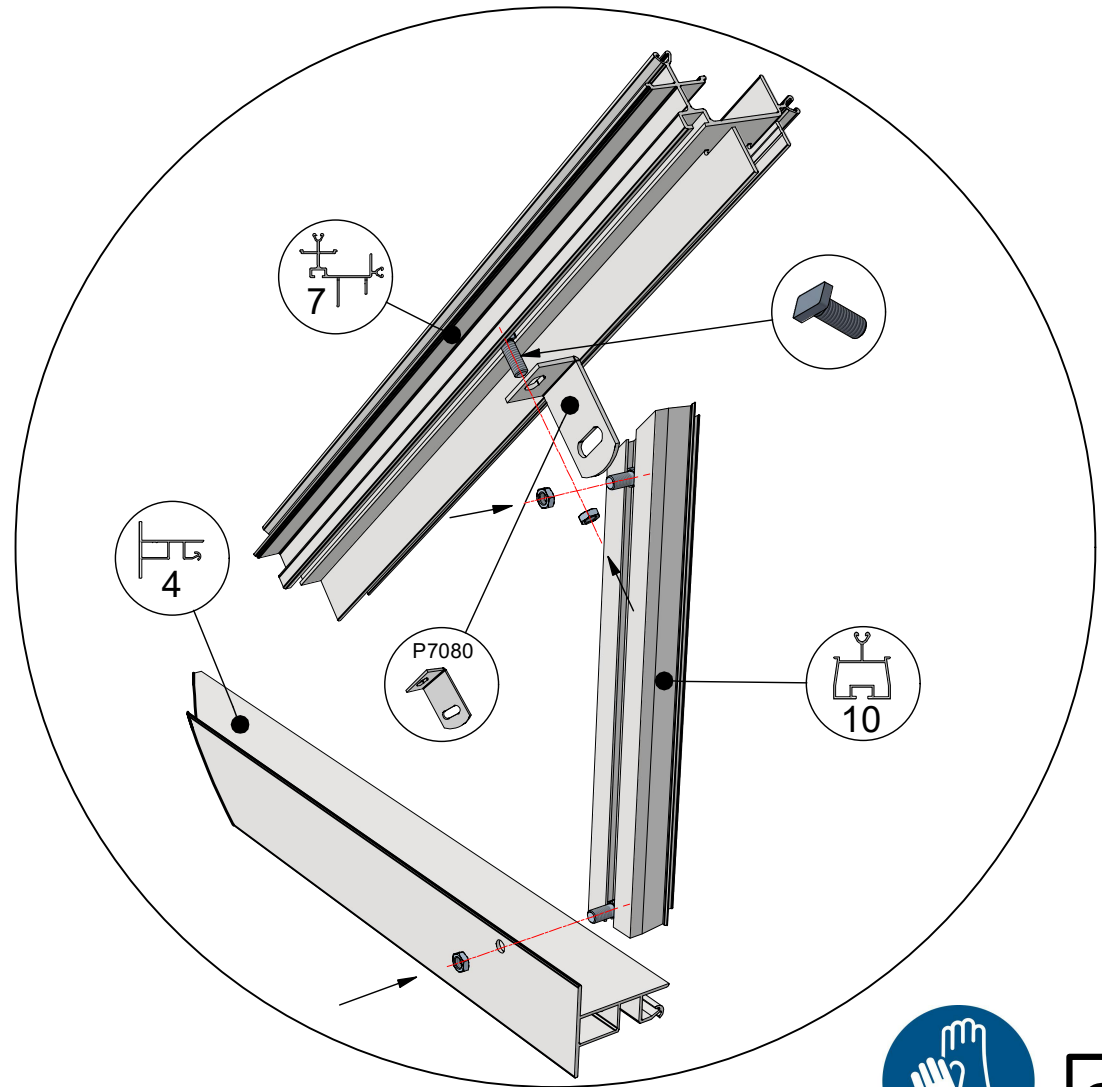
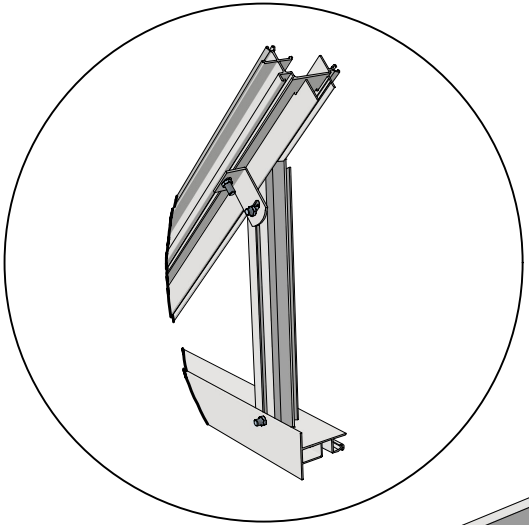


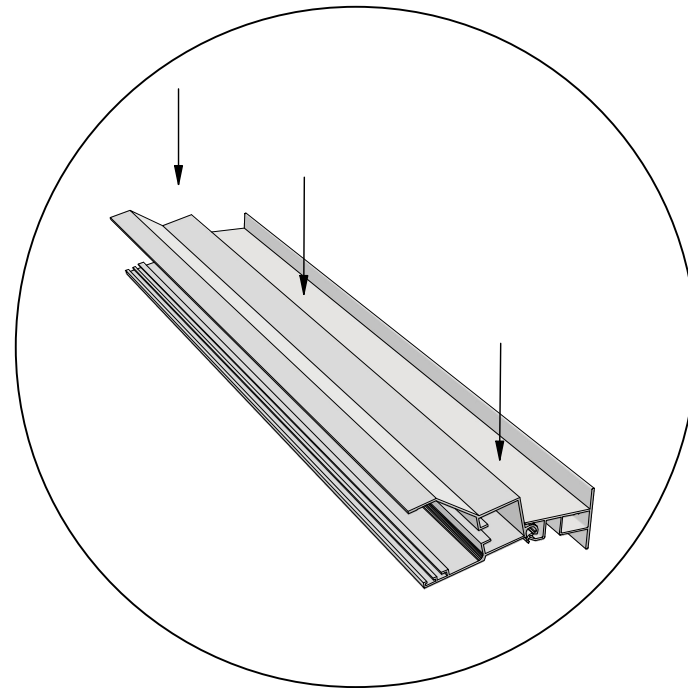
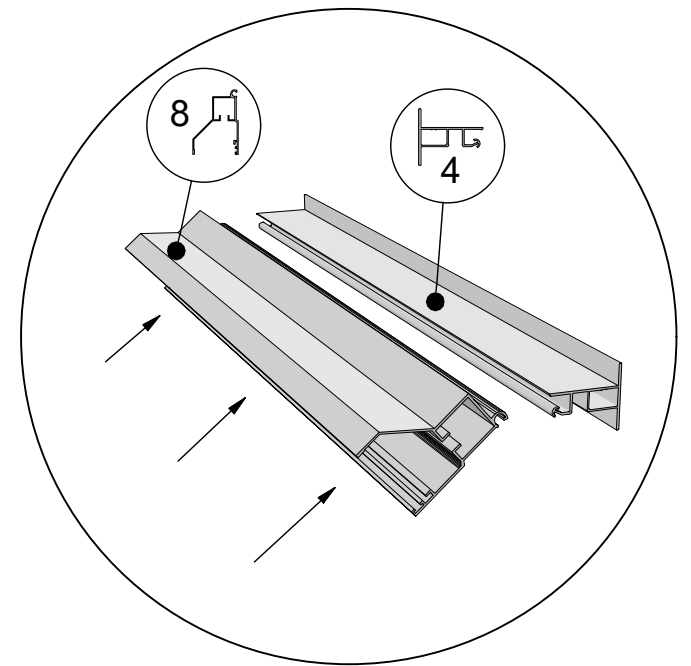
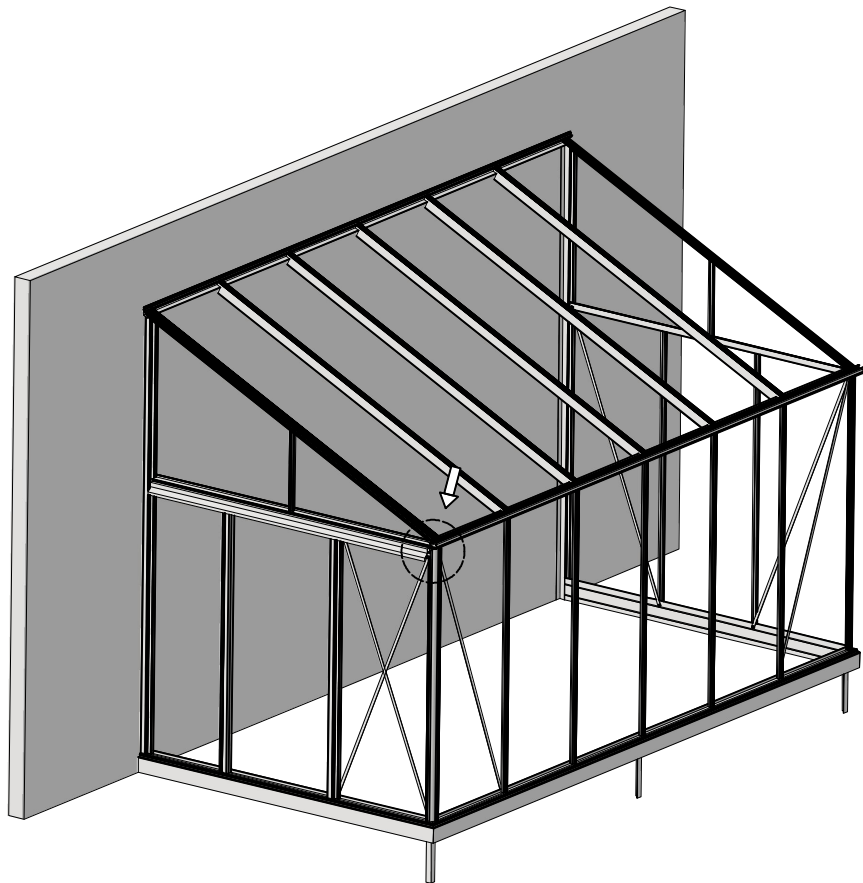
 = M6x12

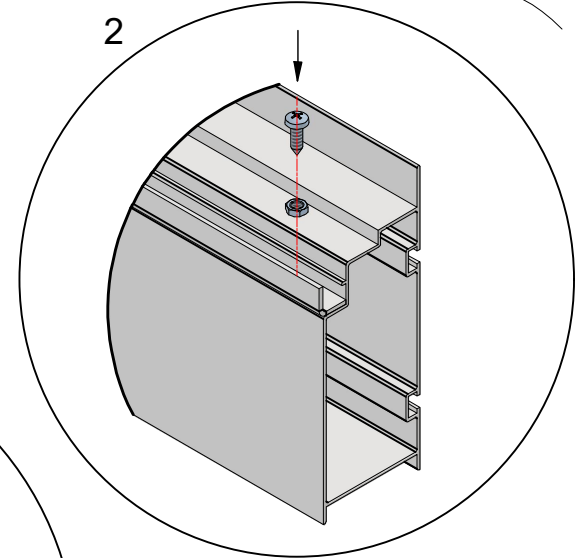
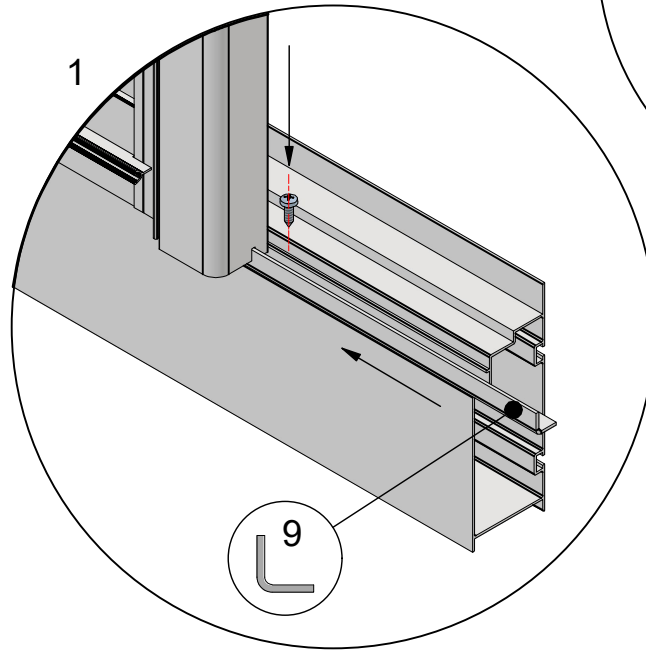
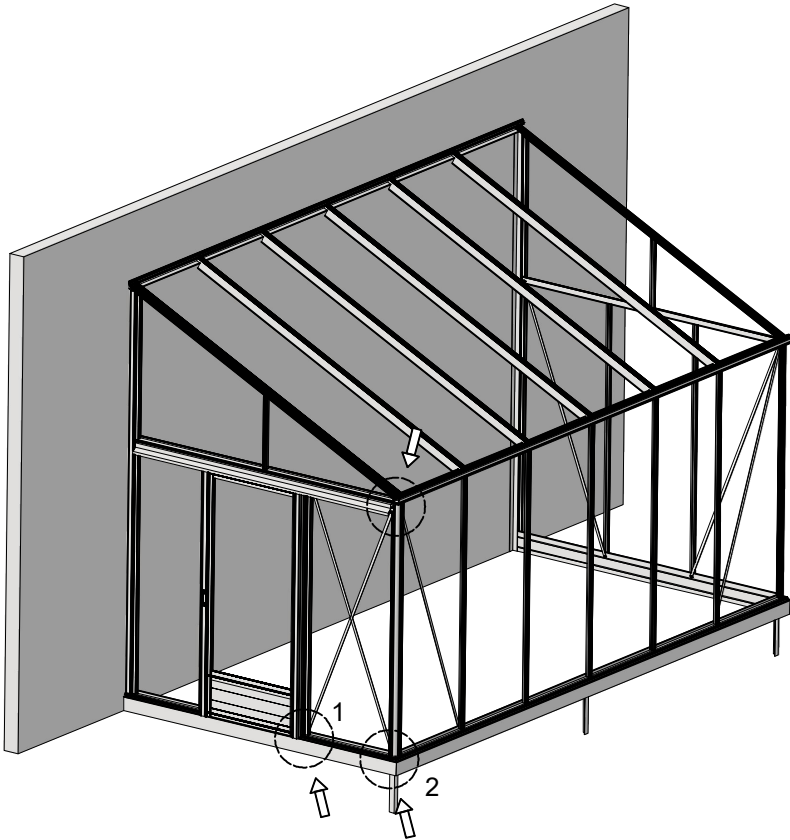
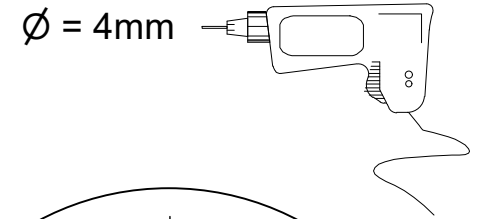
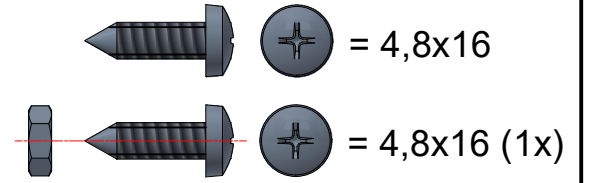
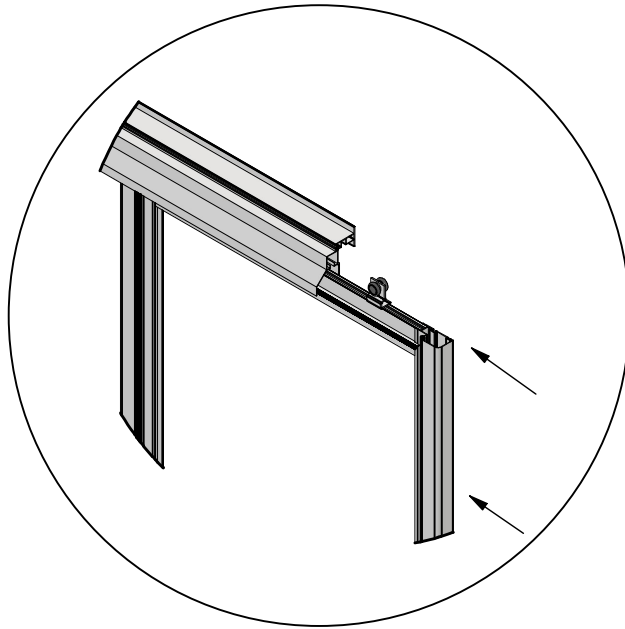
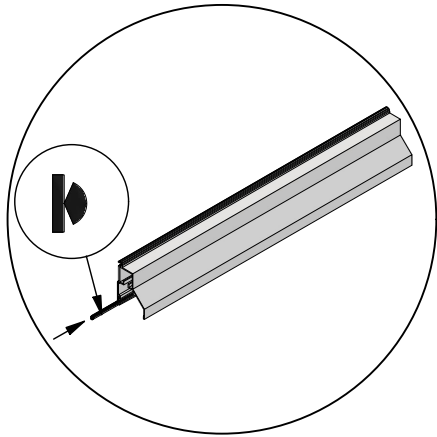


 = M6x16

 = M6x12

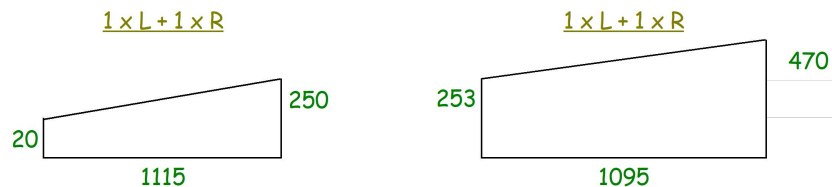






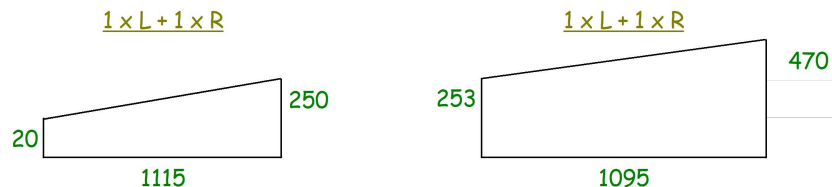
Glass Dimensions Nv Euro-serre		Muurserre		2,33m	11°	GlassH: 1650			
Glass Size 730mm	Sides		Size Lenght x Wide		Roof	Size Lenght x Wide			
	1650 x 730	1650 x 573	1250 x 730		2332 x 730	1492 x 730	825 x 730	m ²	m ²
Muurserre 2,33m x 3,09m	8	1	1		3	1	1	11,5	6,8
Muurserre 2,33m x 3,80m	9	1	1		3	2	2	12,7	8,5
Muurserre 2,33m x 4,57m	10	1	1		4	2	2	13,9	10,2
Muurserre 2,33m x 5,30m	11	1	1		4	3	3	15,1	11,9
Muurserre 2,33m x 6,04m	12	1	1		5	3	3	16,3	13,6
Muurserre 2,33m x 6,77m	13	1	1		6	3	3	17,5	15,3
Muurserre 2,33m x 7,53m	14	1	1		7	3	3	18,7	17,0
Muurserre 2,33m x 8,30m	15	1	1		7	4	4	19,9	18,7
Muurserre 2,33m x 9,02m	16	1	1		8	4	4	21,1	20,4
								1,59 m ²	

Points



Glass Dimensions Nv Euro-serre		Muurserre		2,33m	11°	GlassH: 1850			
Glass Size 730mm	Sides		Size Lenght x Wide		Roof	Size Lenght x Wide			
	1850 x 730	1850 x 573	1450 x 730		2332 x 730	1492 x 730	825 x 730	m ²	m ²
Muurserre 2,33m x 3,09m	8	1	1		3	1	1	12,9	6,8
Muurserre 2,33m x 3,80m	9	1	1		3	2	2	14,3	8,5
Muurserre 2,33m x 4,57m	10	1	1		4	2	2	15,6	10,2
Muurserre 2,33m x 5,30m	11	1	1		4	3	3	17,0	11,9
Muurserre 2,33m x 6,04m	12	1	1		5	3	3	18,3	13,6
Muurserre 2,33m x 6,77m	13	1	1		6	3	3	19,7	15,3
Muurserre 2,33m x 7,53m	14	1	1		7	3	3	21,0	17,0
Muurserre 2,33m x 8,30m	15	1	1		7	4	4	22,4	18,7
Muurserre 2,33m x 9,02m	16	1	1		8	4	4	23,7	20,4
								1,59 m ²	

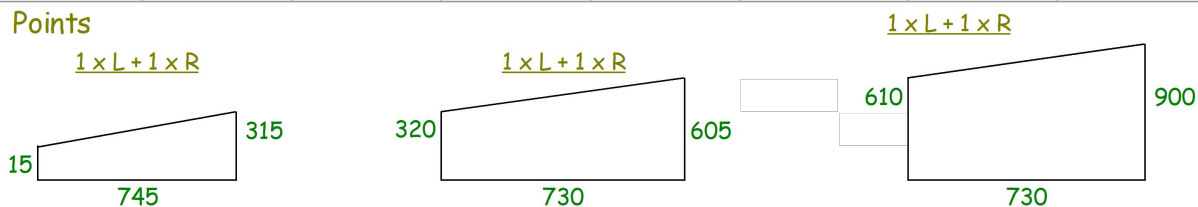
Points



Opgemaakt op 21-11-2012

Glass Dimensions Nv Euro-serre Muurserre 2,33m 25° GlassH: 1650

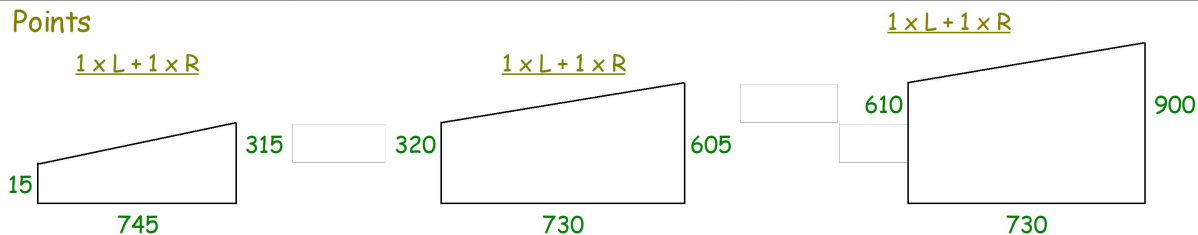
Glass Size 730mm	Sides		Size Lenght x Wide		Roof	Size Lenght x Wide		Poly		m ²	m ²
	1650 x 730	1650 x 573	1250 x 730	2465 x 730		1635 x 730	825 x 730	2465 x 730	1630 x 730		
Muurserre 2,33m x 3,09m	8	1	1	3		1	1 or 1	3	1	11,5	7,2
Muurserre 2,33m x 3,80m	9	1	1	3		2	2 or 2	3	2	12,7	9,0
Muurserre 2,33m x 4,57m	10	1	1	4		2	2 or 2	4	2	13,9	10,8
Muurserre 2,33m x 5,30m	11	1	1	4		3	3 or 3	4	3	15,1	12,6
Muurserre 2,33m x 6,04m	12	1	1	5		3	3 or 3	5	3	16,3	14,4
Muurserre 2,33m x 6,77m	13	1	1	6		3	3 or 3	6	3	17,5	16,2
Muurserre 2,33m x 7,53m	14	1	1	7		3	3 or 3	7	3	18,7	18,0
Muurserre 2,33m x 8,30m	15	1	1	7		4	4 or 4	7	4	19,9	19,8
Muurserre 2,33m x 9,02m	16	1	1	8		4	4 or 4	8	4	21,1	21,6



2,67 m²

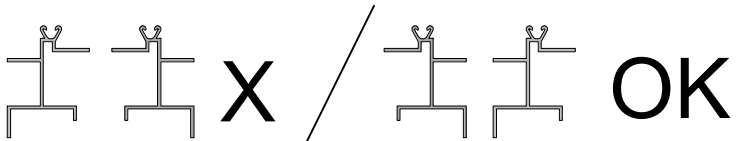
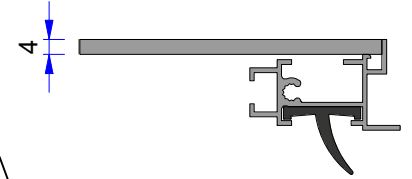
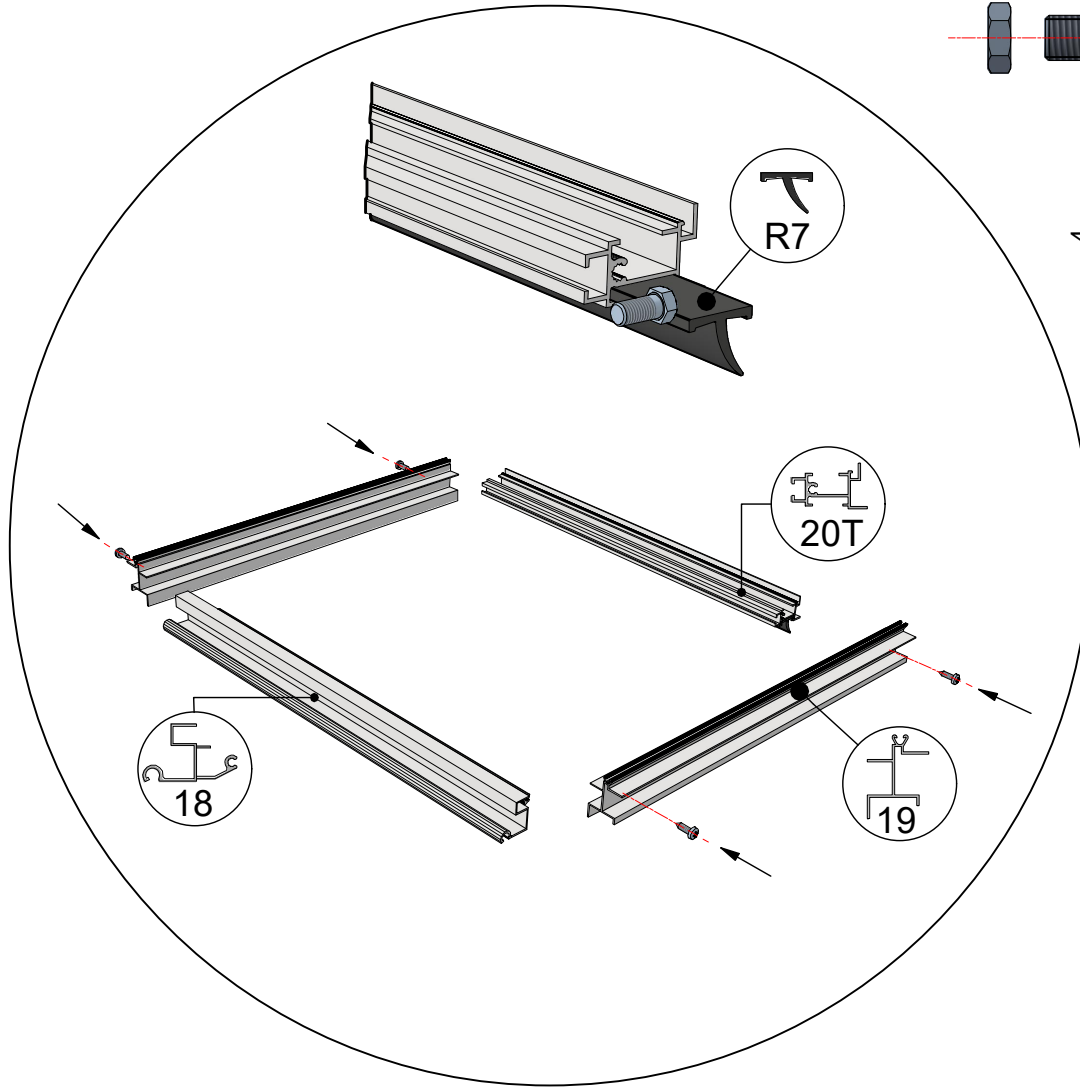
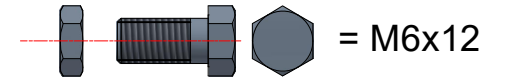
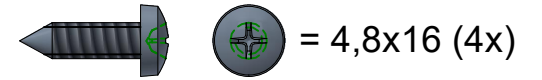
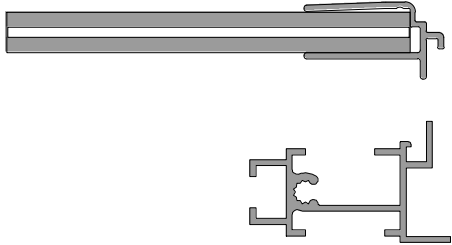
Glass Dimensions Nv Euro-serre Muurserre 2,33m 25° GlassH: 1850

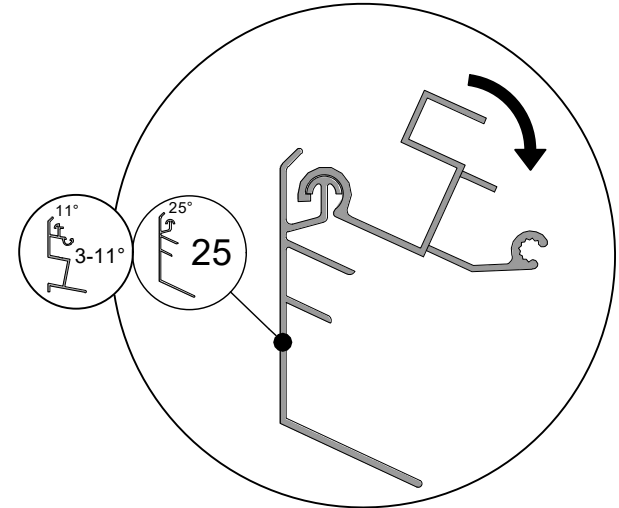
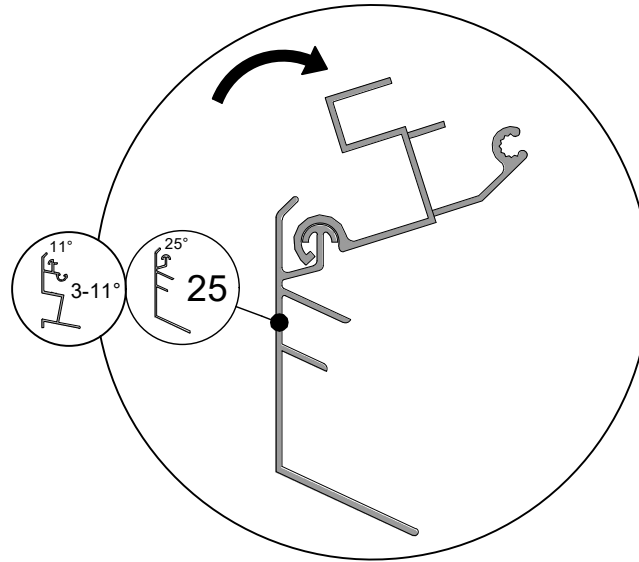
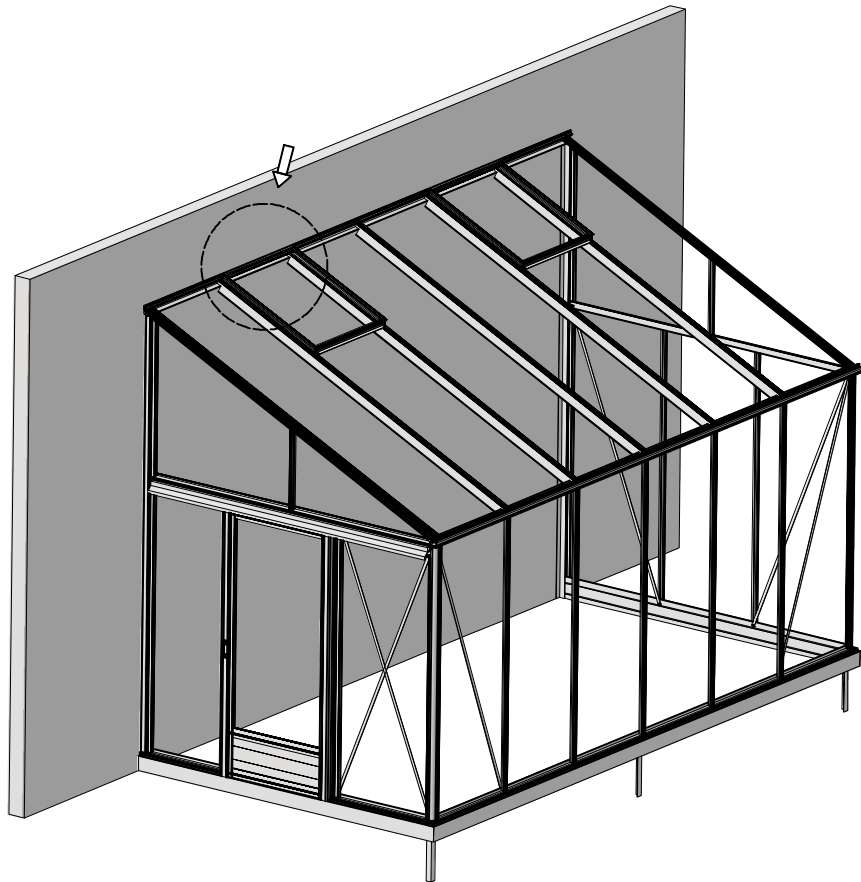
Glass Size 730mm	Sides		Size Lenght x Wide		Roof	Size Lenght x Wide		Poly		m ²	m ²
	1850 x 730	1850 x 573	1450 x 730	2465 x 730		1635 x 730	825 x 730	2465 x 730	1630 x 730		
Muurserre 2,33m x 3,09m	8	1	1	3		1	1 or 1	3	1	12,9	7,2
Muurserre 2,33m x 3,80m	9	1	1	3		2	2 or 2	3	2	14,3	9,0
Muurserre 2,33m x 4,57m	10	1	1	4		2	2 or 2	4	2	15,6	10,8
Muurserre 2,33m x 5,30m	11	1	1	4		3	3 or 3	4	3	17,0	12,6
Muurserre 2,33m x 6,04m	12	1	1	5		3	3 or 3	5	3	18,3	14,4
Muurserre 2,33m x 6,77m	13	1	1	6		3	3 or 3	6	3	19,7	16,2
Muurserre 2,33m x 7,53m	14	1	1	7		3	3 or 3	7	3	21,0	18,0
Muurserre 2,33m x 8,30m	15	1	1	7		4	4 or 4	7	4	22,4	19,8
Muurserre 2,33m x 9,02m	16	1	1	8		4	4 or 4	8	4	23,7	21,6

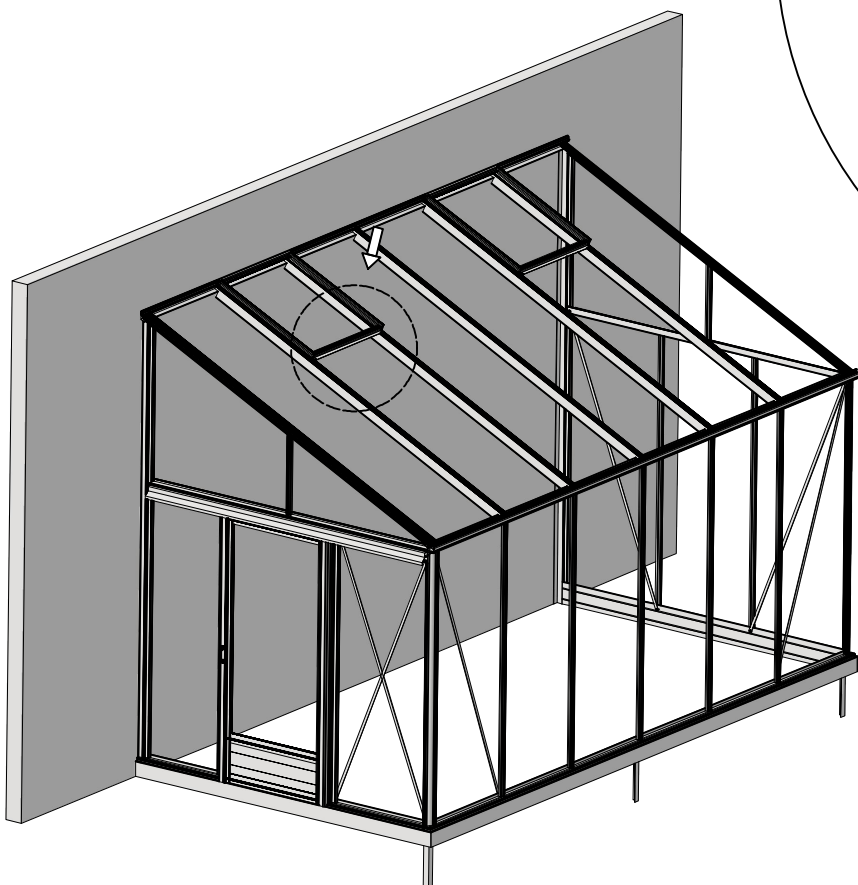
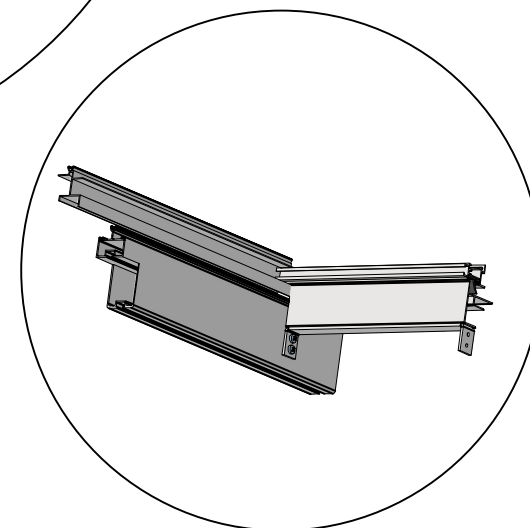
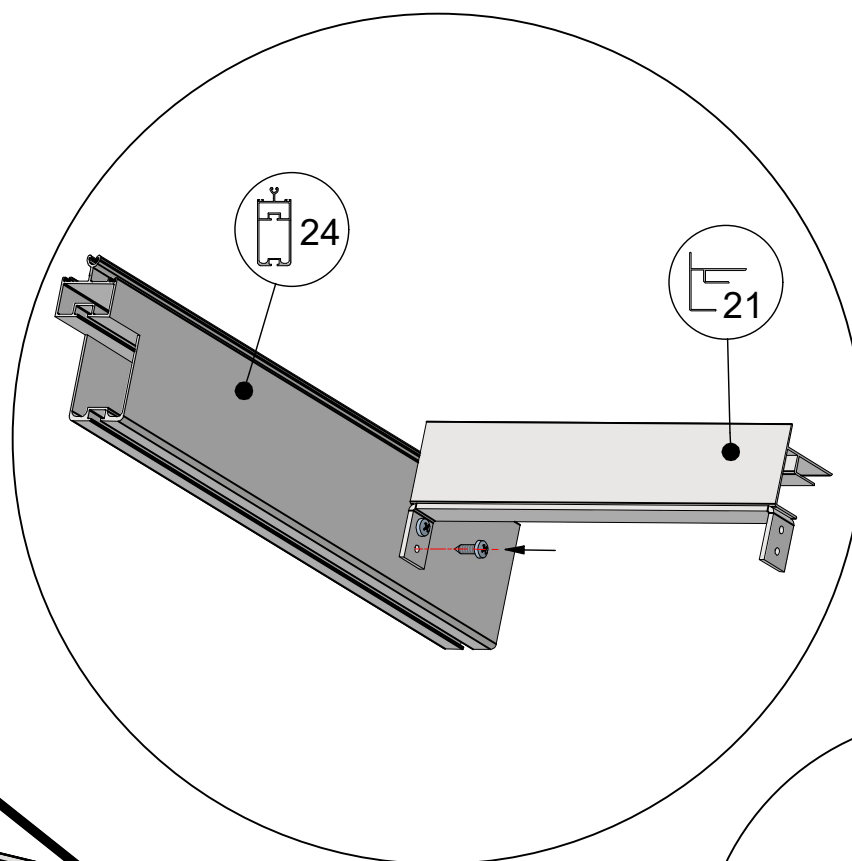
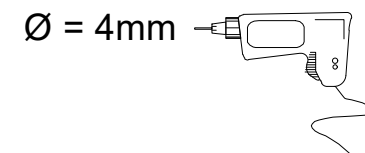
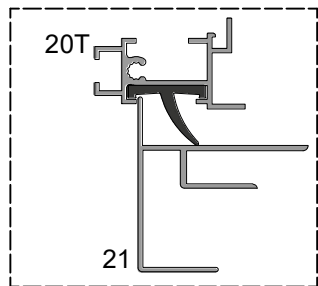


2,67 m²

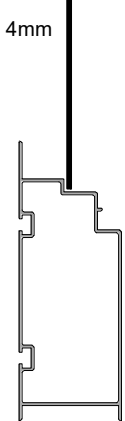
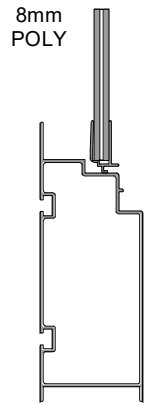
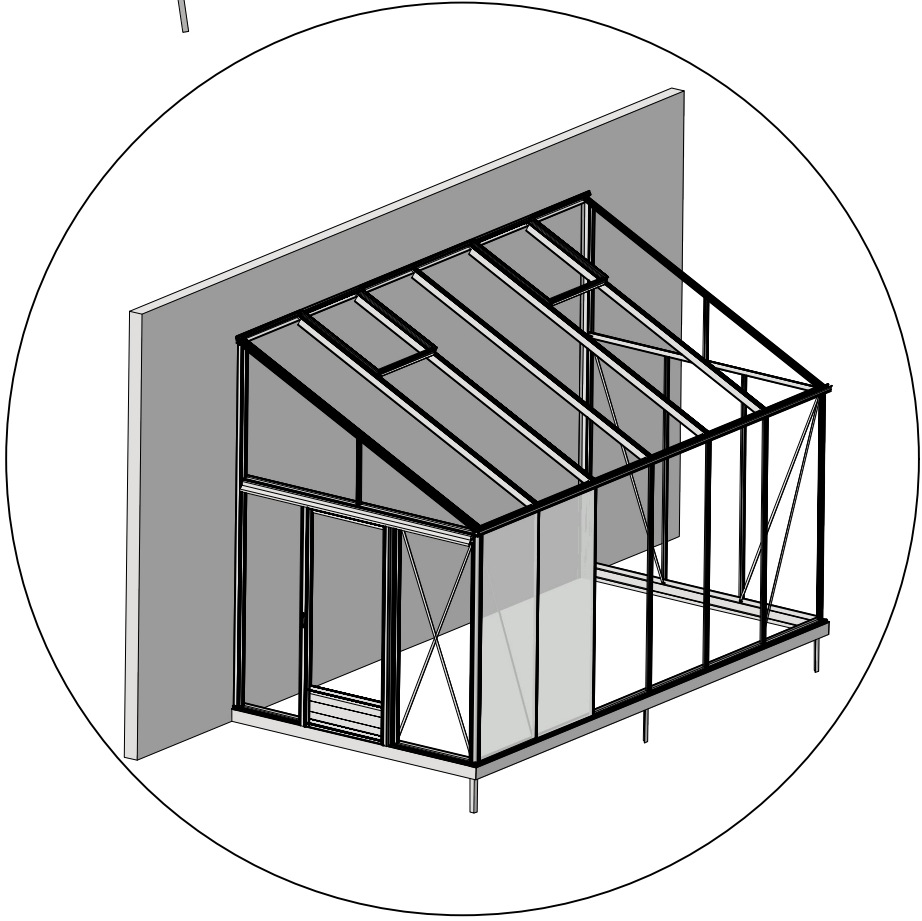
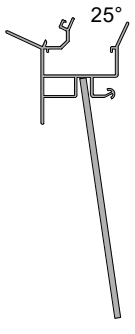
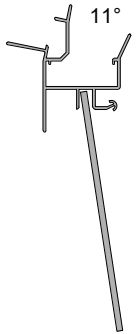
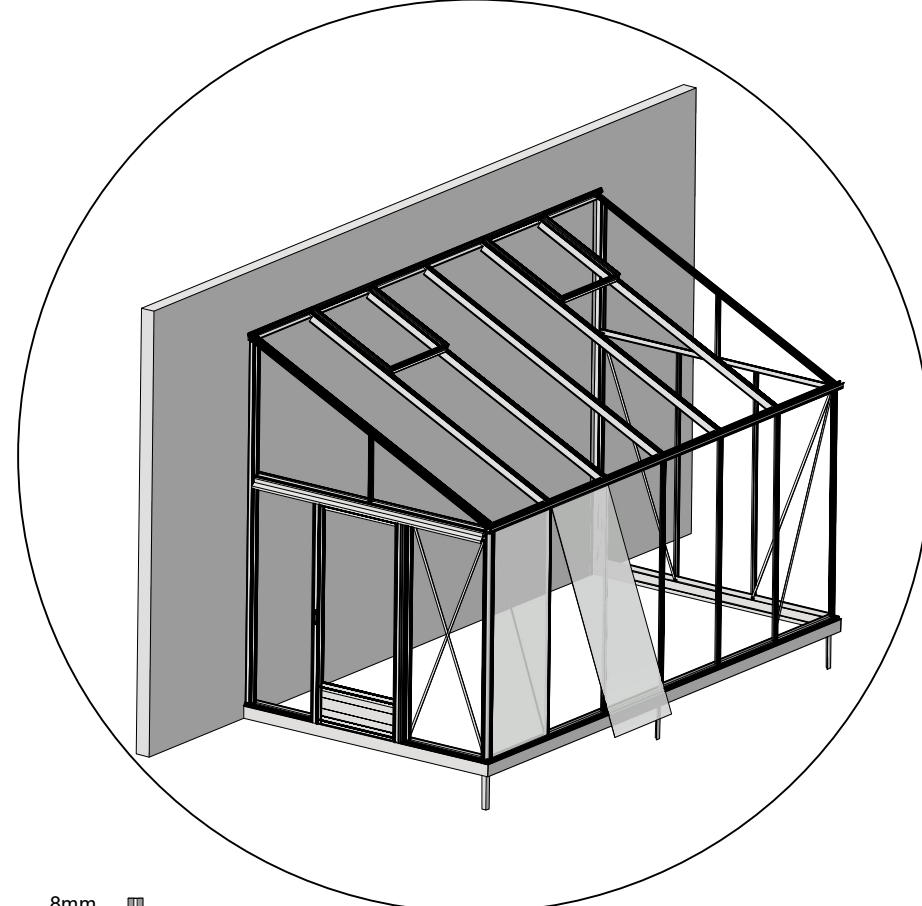
Poly

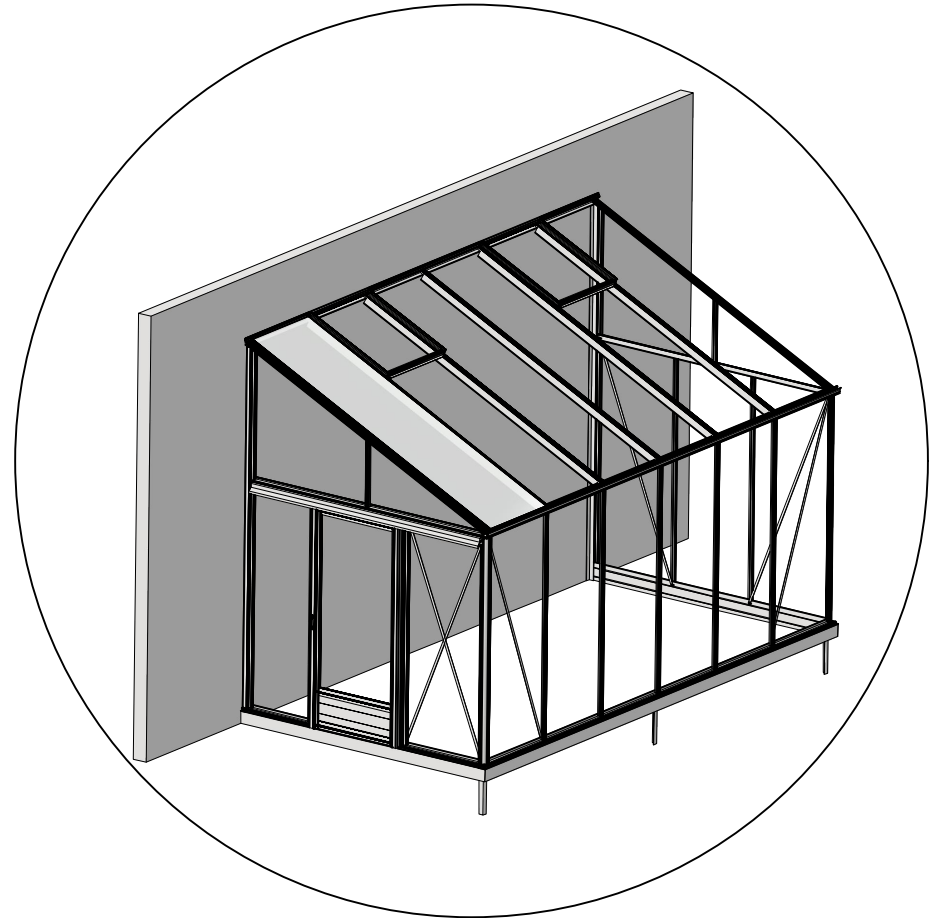
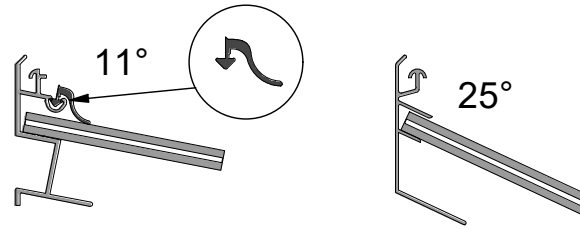
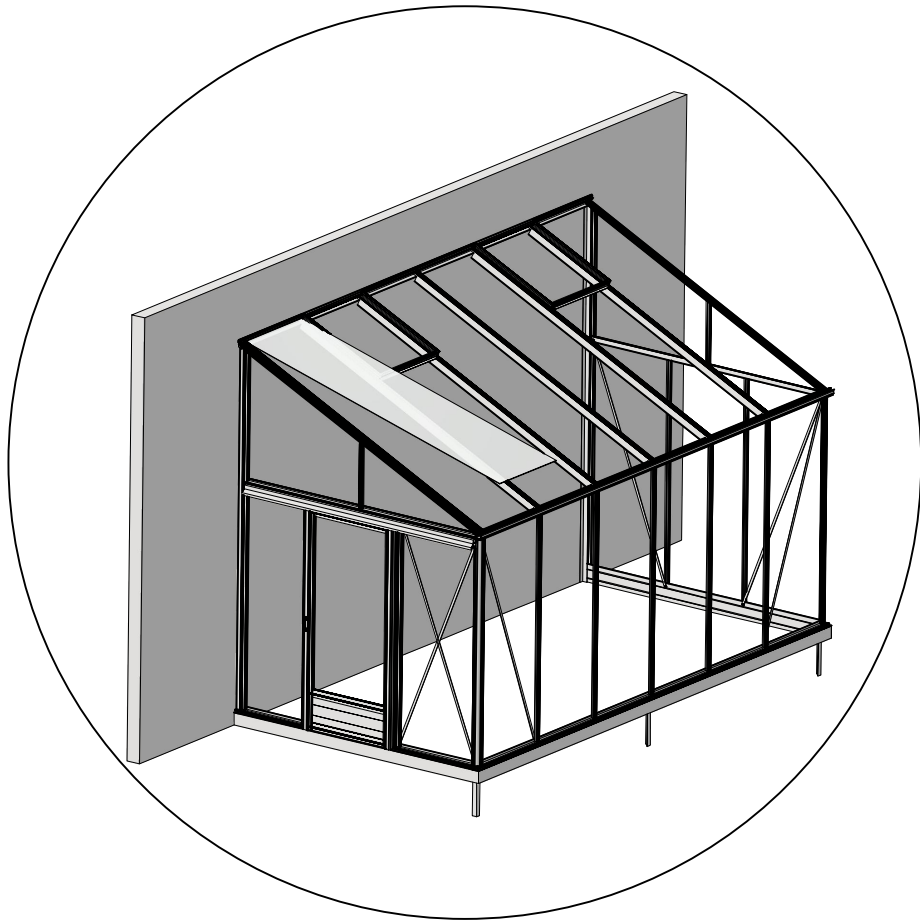




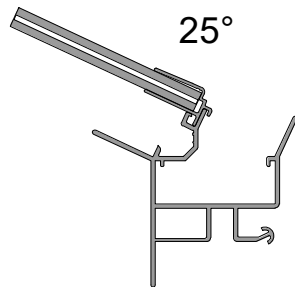
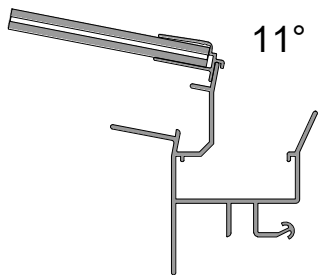


30

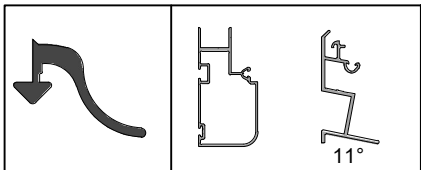
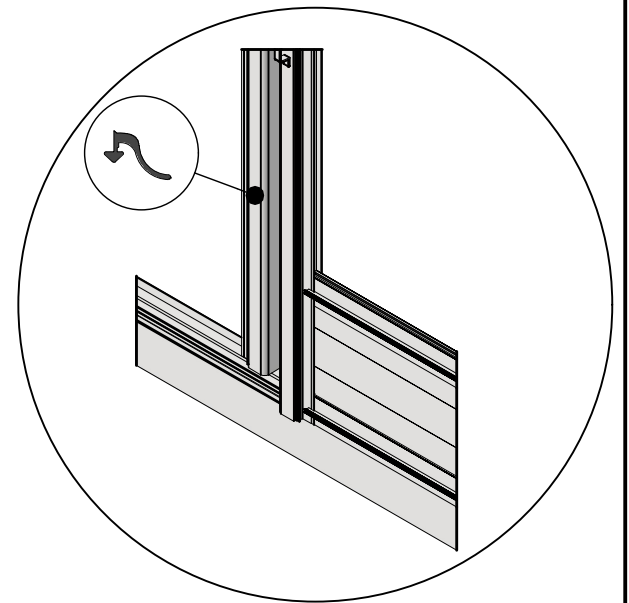
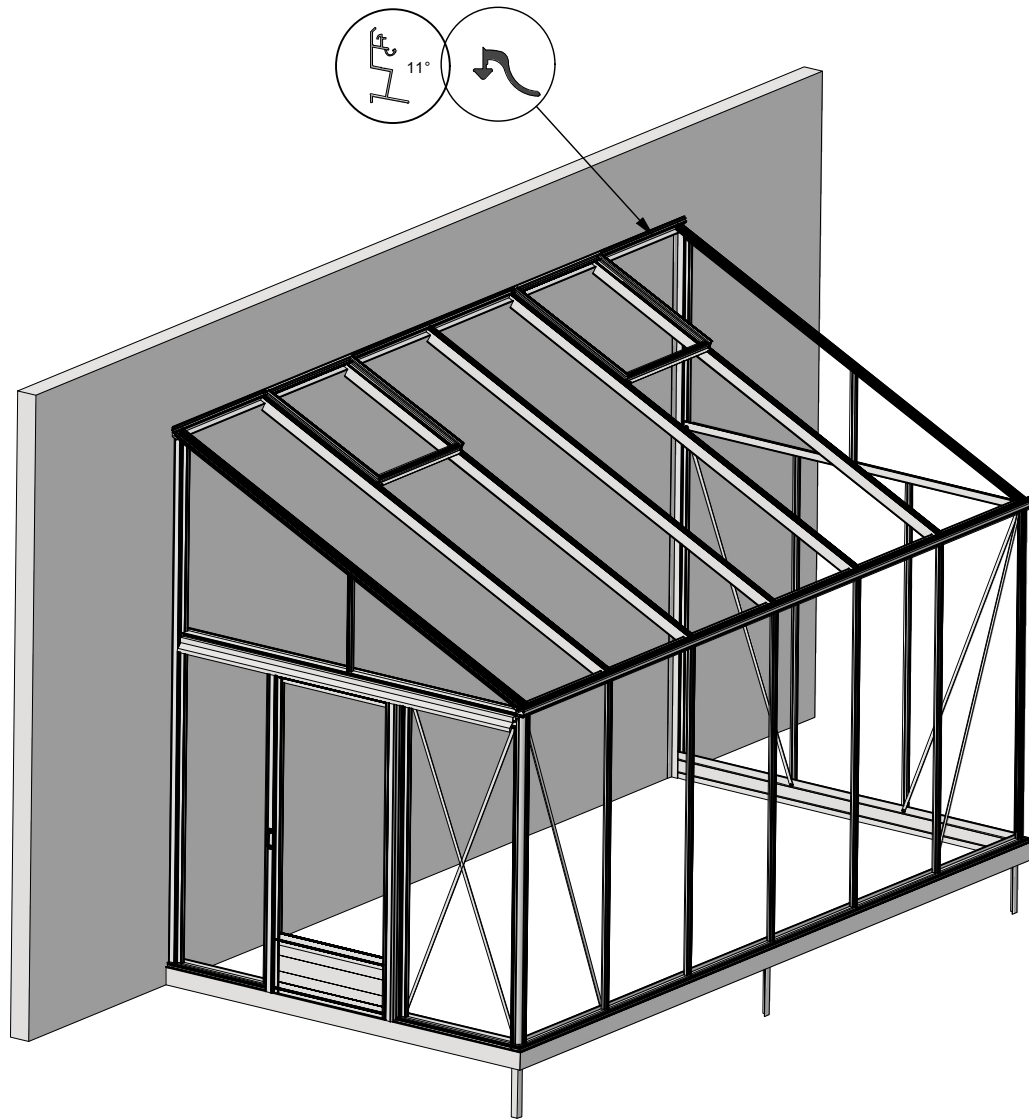


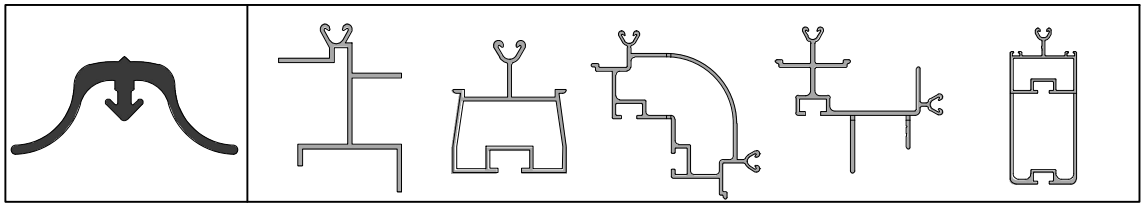
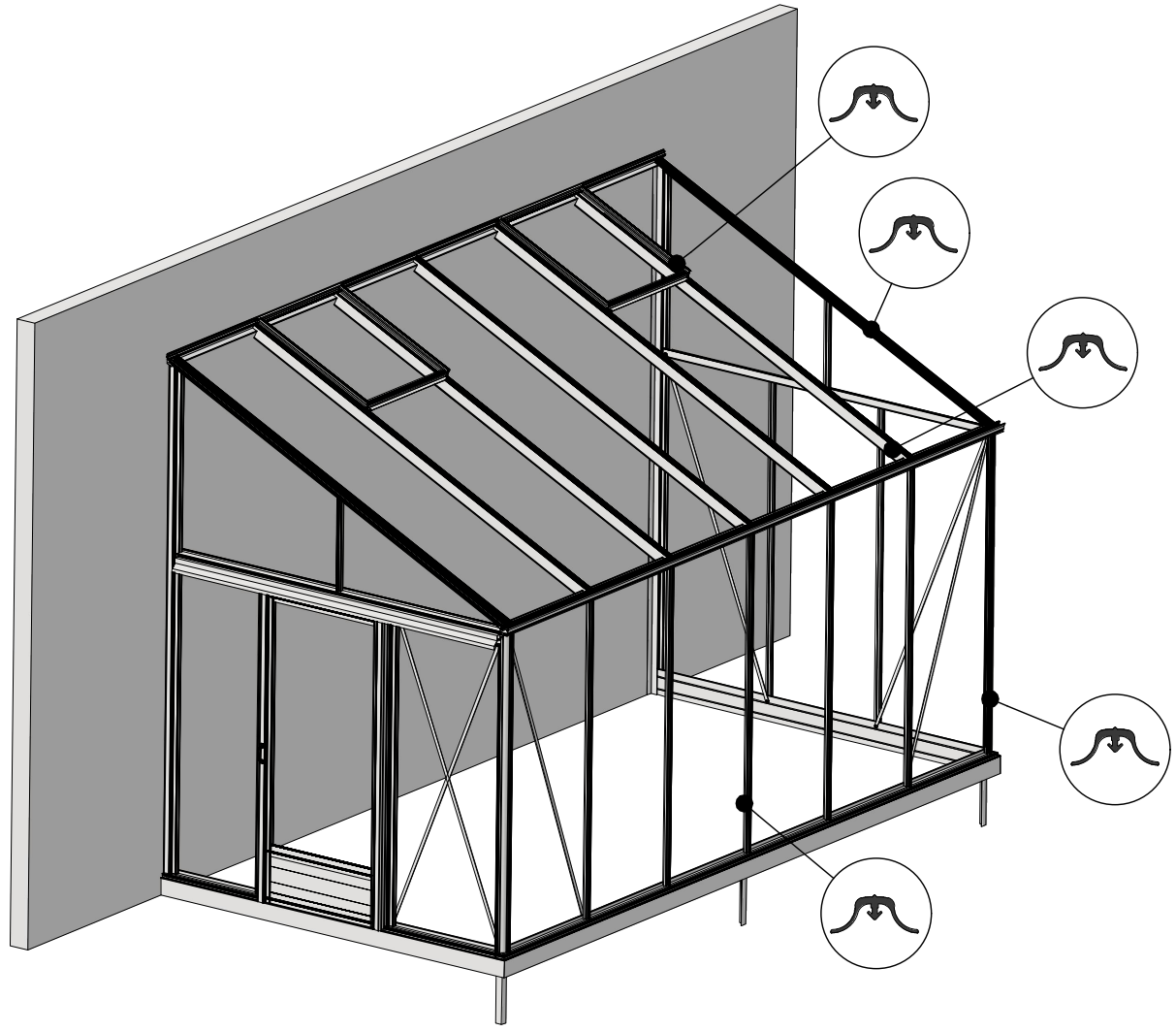


POLY

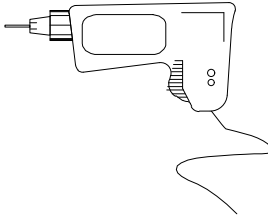


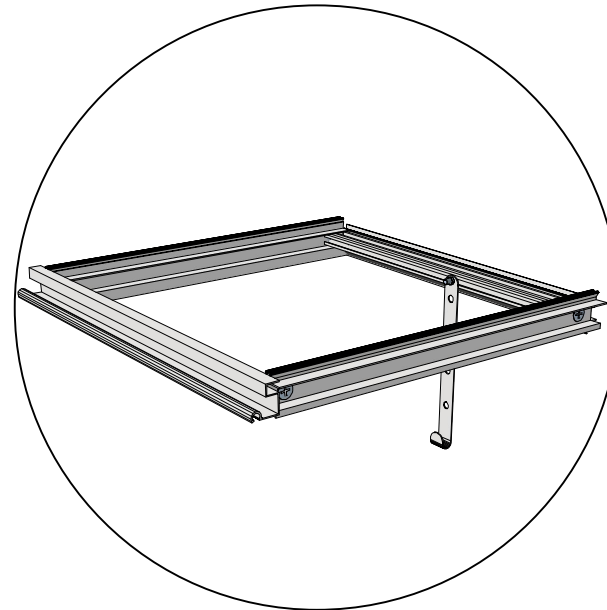
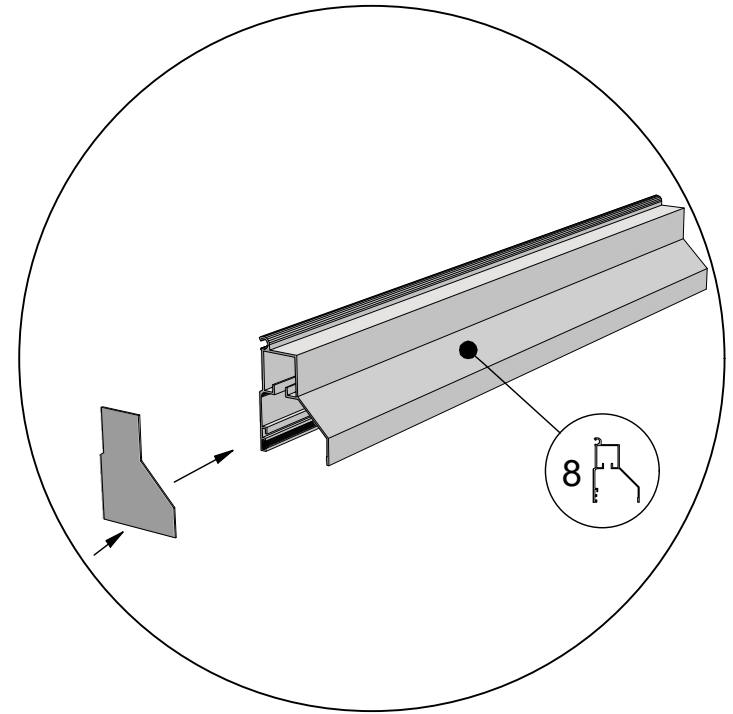
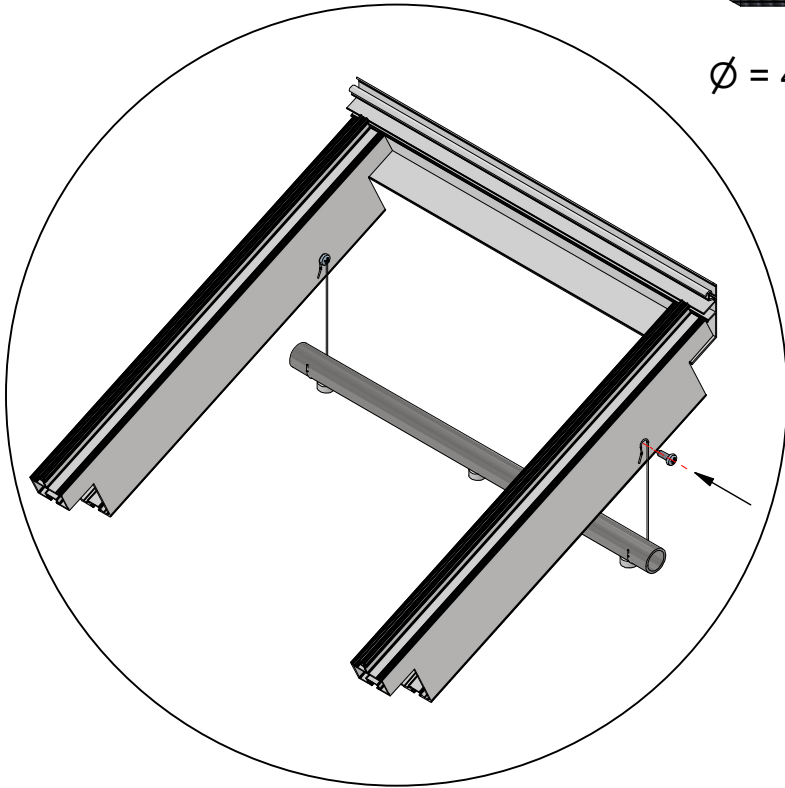


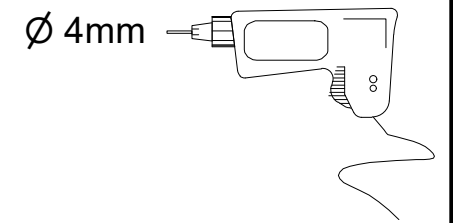
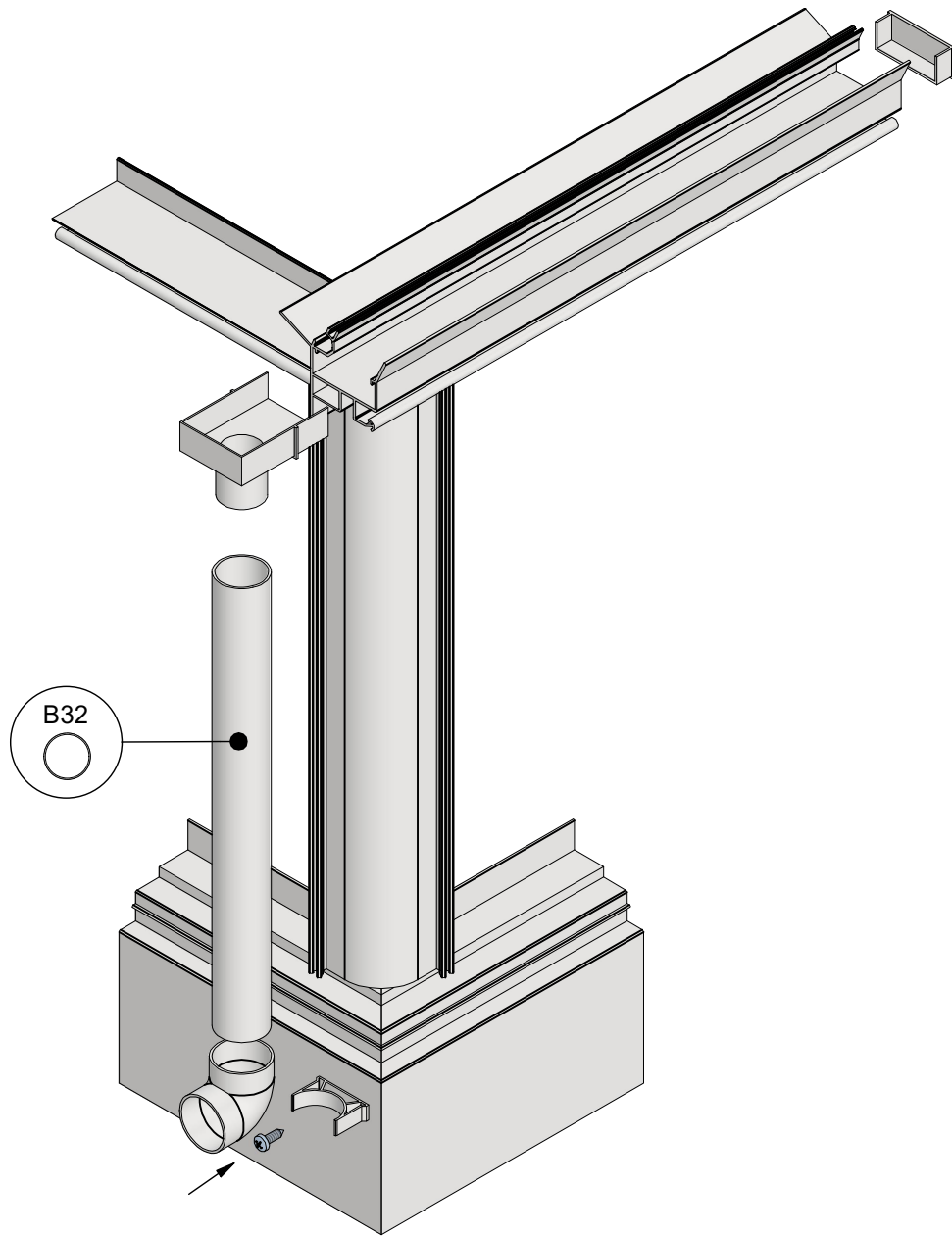




 = 4,8x16

$\varnothing = 4\text{mm}$ 







Geleenlaan 1 - 3600 Genk

ref: Muurserre-001 Rev. 05.10.2023

OCBS - 1148-CPR-20231003-989 C E

EN 1090-1 EXC 1

Euro-Muurserre

www.euroserre.com/cecertificaten