

**Kitchen food waste disposer**

**EcoMaster<sup>®</sup>**  
**EVO3**

**ECONOMY / STANDARD /  
DELUXE / LCD**

**Stainless steel parts + Built-in air switch**

**Eco friendly disposal of food waste in your kitchen sink**

**Installation and user manual**



- Before installing and using the waste disposer, read all instructions within this manual.
- Failure to follow the instructions, waste pipe connection standards, including the use of non-standard components, you can affect the safety, proper functioning or cause damage to the device incl. loss of warranty. If you are unsure about connecting the waste disposer, have it installed by a qualified person or professional company. For any questions, contact your dealer.
- Always abide by safety principles and proper use in accordance with this operating instructions manual. Retain the instructions user manual for later reference.

# Contents

Features and advantages .....	1
Specifications, Dimensions .....	2
Important safety information .....	3
Parts description .....	4
Components of mounting assembly, Pre-installation instructions .....	5
Conditions and preparation for installation .....	6
Installation of mounting assembly into the sink .....	7
Connecting the dishwasher and sink overflow, Connecting the waste elbow pipe .....	8
Connecting to the mounting and siphon trap assembly, Typical waste pipe connection .....	9
Waste disposer control options .....	10
Connecting the air button tube to the disposer, Electrical connection, Trial operation .....	11
How to use the waste disposer .....	12
Cleaning & Maintenance, Wiring diagram .....	13
Troubleshooting .....	14
Warranty conditions .....	15
Environmental protection & Recycling .....	16
Waste disposer accessories .....	17
Package contents .....	18

# Features and advantages


EcoMaster Food waste disposer is a powerful and reliable device that will serve you for many years. Stainless steel components, modern motor design and fibreglass grinding chamber are designed to grind the worst storable waste - kitchen food waste.

Disposing of household food waste with EcoMaster will be a simple and an automatic task. Just turn on the water, turn on the waste disposer and scrape the food waste and remains into the grinding chamber of the waste disposer. Within seconds the waste is ground into small particles and is drained away with the water flow straight into the sewer system.

When it reaches the Wastewater Treatment Plant, the food waste particles are recycled, see chapter “**Environmental protection and recycling**“. The waste disposer conforms with the European CE standard.

### Using the waste disposer brings many advantages:

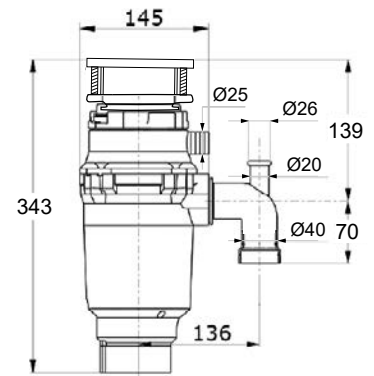
- The fastest and convenient way to dispose of food waste directly in the kitchen sink
- Solving the food waste problem by sorting the waste immediately on site
- Cleanliness and hygiene, clean kitchen without the unpleasant odours of rotting and mouldy food waste in the trash.
- A better home environment, less annoying insects, bacteria, mould spores and allergens
- Reduced the number of time waste must be emptied, save money by reducing waste collection
- Eliminate problems with a clogged sink trap
- Reducing the incidence of insects and rodents near outside collection bins - waste containers
- Ecological solution, less environmental pollution from waste
- More renewable energy generated by the sewage treatment plants

-  **Effective grinding system:** does not use knives, works on the principles of centrifugal force, where the waste rotates and is eventually shredded – ground by the perforated grinding ring within the grinding chamber.

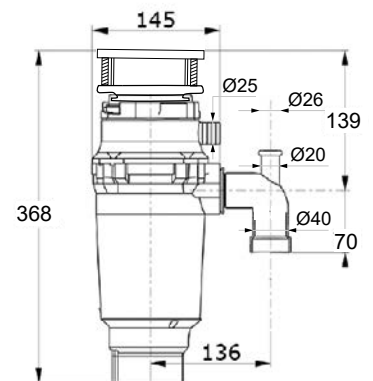
# Model specifications

Modely	EcoMaster ECONOMY	EcoMaster STANDARD	EcoMaster HEAVY DUTY	EcoMaster DELUXE	EcoMaster LCD
<b>Parameters</b>					
Voltage	AC 220-240 V				
Frequency	50/60 Hz				
Power	375 W		550 W		750 W
Motor power	1/2 HP		3/4 HP		1 HP
Current	1,7 A		2,25 A		3,4 A
Torque	1,5 Nm		1,8 Nm		2 Nm
Motor RPM	2600 rpm		2700 rpm		2800 rpm
Sink flange / mounting system	All-metal / 3-bolt mount				
Material – cover	ABS plastic				
Grinding chamber volume	1,48 l		1,83 l		1,9 l
Grinding chamber sound insulation	Ne		Ano (cover + foam insulation)		
Motor sound insulation	YES (cover)				
Electrical safety class	I. (insulation and earch connection)				
Thermal fuse	Ano (resetace pomoci tlačítka)				
Connection of Sink overflow, dishwasher / washing machine	Ano (volitelné vstupy)				
Dimensions (H/W/D)	343x145x145 mm	368x145x145 mm	413x167x167 mm	393x194x194 mm	393x194x194 mm
Net wei	4,4 kg	5 kg	4,7 kg	5,6 kg	5,7 kg
Commercial use	NO	NO	NO	YES (small)	YES (medium)

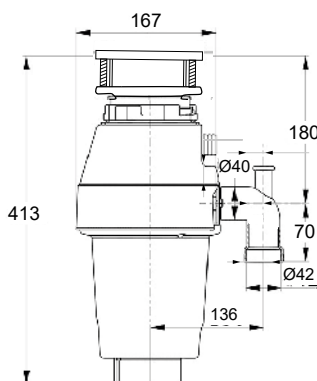
## Dimensions



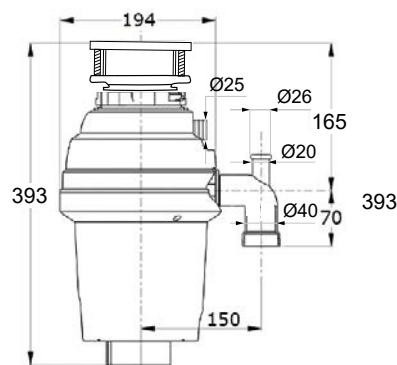
**EcoMaster ECONOMY**



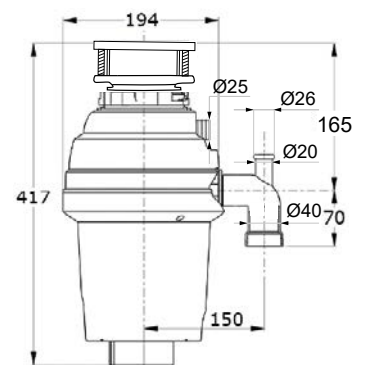
**EcoMaster STANDARD**



**EcoMaster HEAVY DUTY**



**EcoMaster DELUXE**



**EcoMaster LCD**

# Important safety instructions



The kitchen waste disposer is powered by electricity. In case of improper handling or violation of the general safety precautions and guidelines within this user manual may result in serious personal injury, fire or electric shock.



When using electrical equipment, always follow basic safety precautions including the precautions listed on this page. Installation precautions: Do not install the device if it is connected to the mains power supply.



PROHIBITED



WARNING



WARNING



- Do not remove the device cover and do not disassemble the device if the device is not unplugged from the wall outlet or mains power supply. Risk of serious injury. The device must always be fitted with the case cover during operation.
- Do not use in excessively humid environments or in areas where water vapour condensation occurs.
- Do not use in areas where direct water spray may occur or ensure that this is avoided, especially when not used underneath the sink in commercial businesses. Risk of serious injury by electric shock and damage to the device.
- Do not disassemble or modify the device. Risk of electric shock, fire or injury.
- The mains power supplied must comply with applicable standards and the specified voltage.
- Using incorrect voltage can cause a fire, electric shock and may damage to the device.
- Always use a separate electrical socket. Excessive loads when multiple appliances plugged into one electrical socket can cause a fire.
- During maintenance, always unplug the appliance from the mains power supply to avoid electric shock.
- If the device does not work or behaves abnormally, disconnect it immediately. If necessary, also switch off the circuit breaker / residual current circuit breaker. Have the device serviced by an authorized service centre.
- Installation of the device must be carried out by a qualified person.
- The device is not intended for use by children and persons with reduced physical or mental abilities, without a person responsible for their safety.
- Children can only use the device under the direct supervision of an adult to reduce the risk of injury.
- If the power supply cable is damaged. The cable must be replaced by a qualified person or an authorized service centre.
- Refer to the „**Electrical connection**“ chapter within this manual for instructions on proper grounding.
- For additional safety, we recommend powering the device via a residual current device.
- Do not dispose of the electrical appliances with household waste.
- Never insert your fingers or hands into the grinding chamber of the device while it's running.
- If you want to remove a foreign object from the device or the device has jammed and you want to unblock it or clean the grinding chamber, always turn off the device and unplug it from the electrical socket by pulling out the plug.
- Use the opposite end of a long wooden spoon, a broom handle to release the jammed turntable of the device or a large screwdriver.
- Use long pliers to remove foreign objects from the device's grinding chamber.
- Do not put materials into the device that may cause problems or damage to the device, this will void the warranty. Some foreign objects and non-disposable materials may also be ejected out by the device.
- If the device is not in use, you can use the Mr Scrappy multi-purpose tool (see waste disposer accessories - included) inserted into sink drain set to the first stage – strainer function to reduce the risk of cutlery or other foreign object falling into the grinding chamber of the device..
- Do not use the device without a splash guard installed – a protective rubber guard that prevents water and eventual debris from flying back out of the device's grinding chamber. The splash guard also reduces noise whilst grinding.

## THINGS THAT CANNOT BE PROCESSED IN THE WASTE DISPOSER



PROHIBITED

- oyster shells and clams
- whole large bones
- maize, garlic and onion skins
- glass, porcelain, plastic, rubber, leather items, food packaging
- plastic, plastic bags, aluminium foils, rubber bands, rubber gloves
- strings, twine, canvas, cloth and wet wipes, foam sponges
- metal and plastic items, cans, various bottles, metal bottle tops or corks
- chemical waste cleaners (may damage the seal and cause damage to the motor)



### Instructions and information on the handling of used packaging

Do not allow children to play with used packaging. The device is packed in a plastic bag. Risk of suffocation! Recycle or dispose of used packaging material at a waste disposal site.



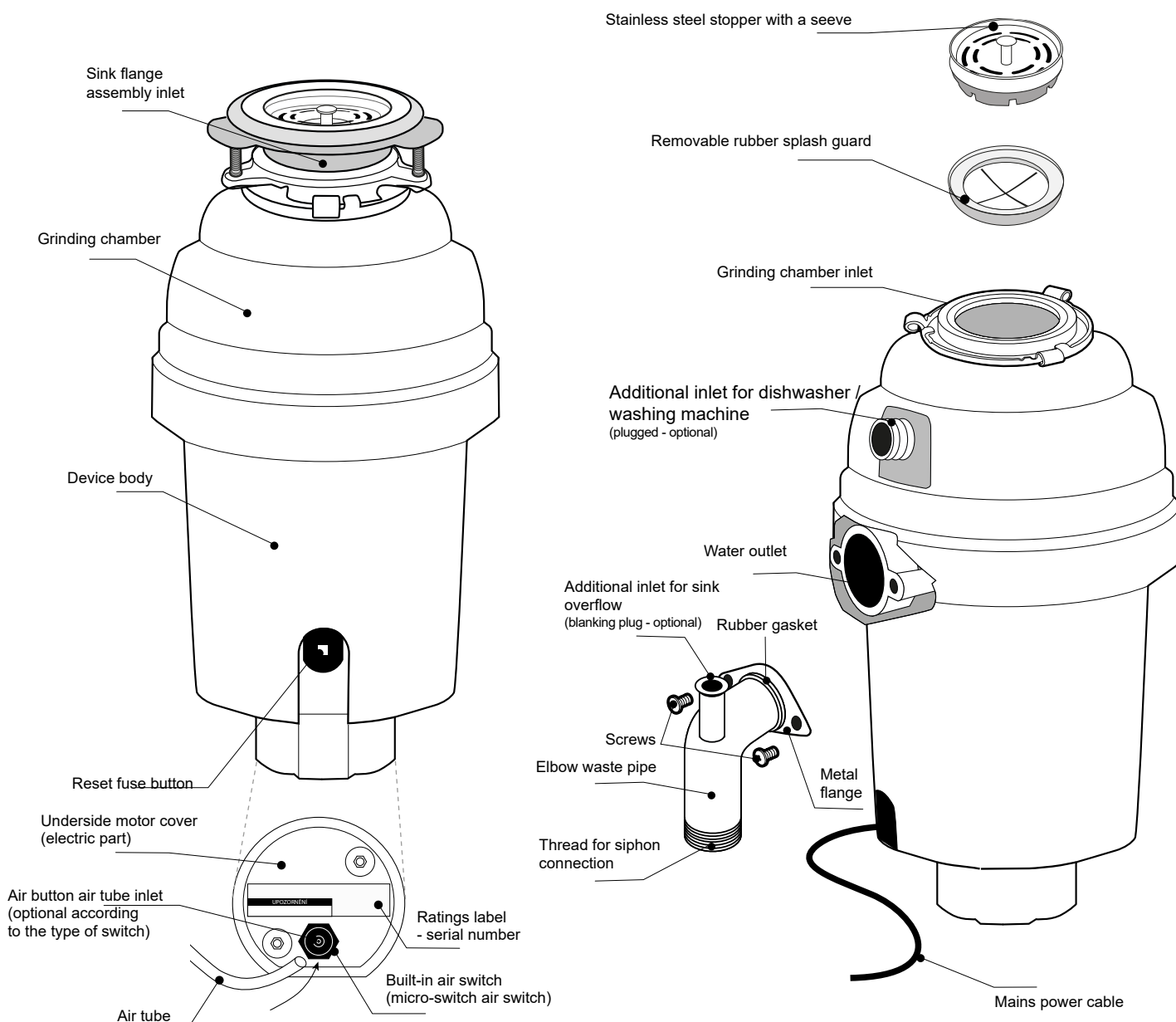
### Disposal of electrical equipment

This symbol is valid in the EU on products or in accompanying documents means that used electrical equipment must not be thrown away with ordinary municipal waste. For proper disposal, restoration and recycling of these products to designated collection points. Alternatively in some European Union countries or other European countries, you can return your products to your local retailer when buying an equivalent new product. Correct disposal of this product will help prevent potential negative effects environmental and human health impacts that would otherwise be caused by inappropriate disposal.

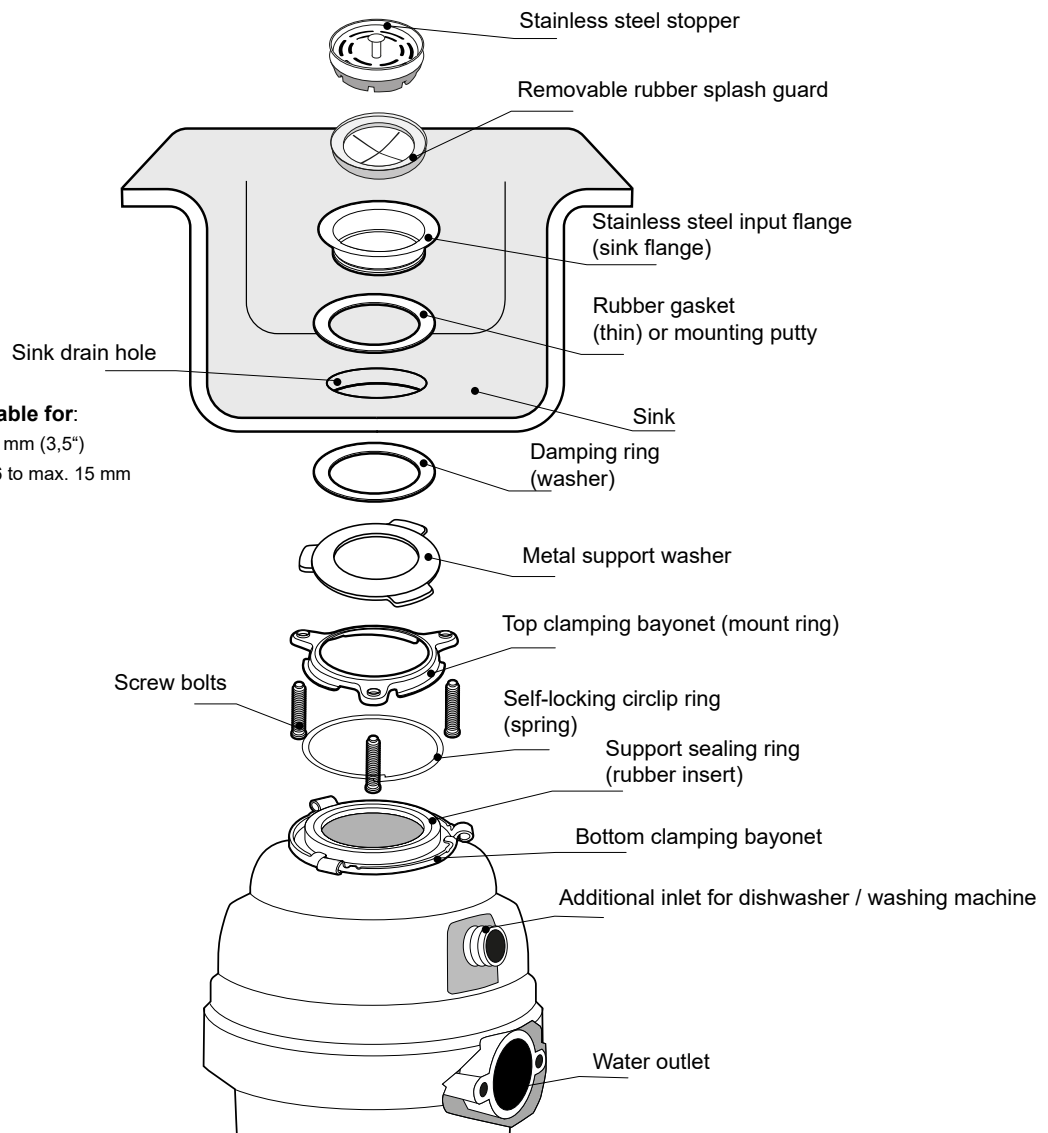
### Disposal of electrical equipment in EU / non-EU countries

If you want to dispose of your electrical equipment, request the necessary information about your take-back options from your own retailers, local authorities.

## Parts description



# Components of mounting assembly



## Mounting assembly is suitable for:

- standardized sink opening Ø90 mm (3,5")
- sink material thickness from 0,6 to max. 15 mm

## Pre-installation instructions



IMPORTANT

When pulling the waste disposer out of the box, grasp its neck and support with the other hand from below. The same applies to further handling when mounted, if the clamping bayonet is not tightened in a secured or supported position. Possible risk of loosening the throat from the crusher and dropping the device to the ground.

Make sure the grinding chamber is empty and there are no parts left in it. For the transport and compactness of the carton size, the manufacturer places some mounting components into the waste disposers grinding chamber with some models. (In addition, they may be damaged if the device is turned on).



TOOLS

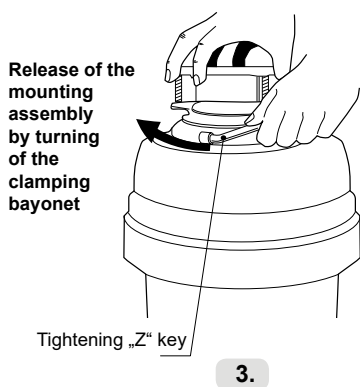
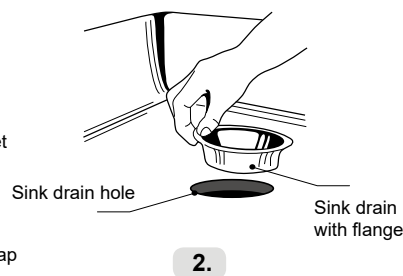
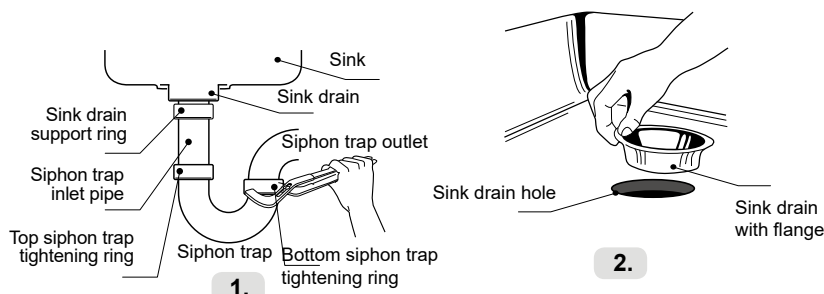
It is not recommended to connect the waste disposer to a power socket to test it before it is firmly attached to the sink, including tightening with the clamping bayonet to the locked position via the latch. When the motor starts spinning, there is a sharp twitch motion and the device may fall. There is a risk of injury or the device may be damaged as a result of falling.

### Recommended mounting/installation tools:

Basic necessary: flat screwdriver small and large, cross screwdriver, hammer, adjustable "SIKO pliers", combined pliers, saw, knife, (drill 15 mm, not required). Extended professional tools: special plumbing pliers for plastic pipes and nuts, drill, crown drill bit 15 mm for possible drilling of the blanking plug of the additional inlet extension for connecting the sink overflow and a round file for cleaning any rough edges of the opening. When installing the air button in the worktop or sink: use a drill, jig or shear tool with ideal size Ø 33 - 35 mm.

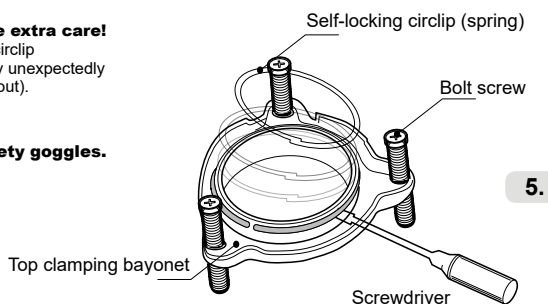
# Conditions and preparation for installation

- 1. Optimal height and diameter of waste pipes.** Waste disposer is constructed for waste pipes of  $\varnothing$  40 mm and more. For the recommended distance between the sink and your waste pipe see chapter „**Typical waste pipe disposer connection**“, the distance should not be less than 180 mm, according to the waste disposer model type see the technical drawing chapter „**Waste disposer dimensions**“.
- 2. Mains power connection 220-240V under your sink.** The power socket may be controlled via a power switch or you can choose other possible control options of the waste disposer see chapter „**Waste disposer control options**“.
- 3. Installed faucet and firmly set sink.** Poorly tightened lightweight stainless steel sink can cause vibrations and noise. For stainless steel sinks, we recommend performing soundproofing with insulating material, wrapping the side wall of the sink tray with a felt belt (quilted felt) or glued with self-adhesive anti-vibration bitumen sheet (natural asphalt).
- 4. The diameter of the sink drain hole must be 90 mm and the bottom thickness max. 20 mm.** If the drain hole is smaller you can additionally widen it using a special cutting tool.
- 5. Checking the dimensions of the waste disposer and the space under the sink.** The space below the sink can be adapted to the waste disposer if necessary. The shelf partition may be lowered or a hole corresponding to the waste disposer may be cut into it to fit around the device. In the case of withdrawable waste bins the waste disposer may fit between the bins or be replaced with a smaller bin. The siphon can be hidden directly behind the waste disposer by turning it with the waste tube elbow extended by the horizontal tube to the wall. For the schematic diagram, see chapter „**Waste disposer dimensions**“.
- 6. Ensuring better access.** Depending on your sink cabinet, if you have a drawer below your sink, slide it out and remove it.



**Caution, take extra care!**  
(Self-locking circlip is tight and may unexpectedly release spring out).

**Use safety goggles.**



## Removing the original siphon trap and sink drainage outlets

For an already used sink with existing drain pipes or waste disposer, firstly remove the waste pipe components. (We recommend in case installing the waste disposer in case of a double bowl sink under the larger bowl. You get more space for cleaning vegetables, rinsing etc.)

1. Place a container under the sink to catch the water contained within the siphon trap and use it to insert all of the dismantled components. (Our tip: bowl, bucket, possibly pot).
2. Loosen the siphon traps tightening nuts and disassemble it (Fig. 1). Use if necessary adjustable or plumbing pliers for pipes.
3. Loosen the central screw of the drain under the strainer. Remove the upper and lower part of the sink flange under the sink (Fig. 2), including the remaining connection piping or possibly eccentric drain plug control. A sink with two bowls can have the eccentric drain plug control installed to the secondary sink bowl.
4. Clean and dry the surface area around the sink drain hole.
5. Remove the container from under the sink with the components and dirty water from the siphon trap.

## Removing the mounting assembly

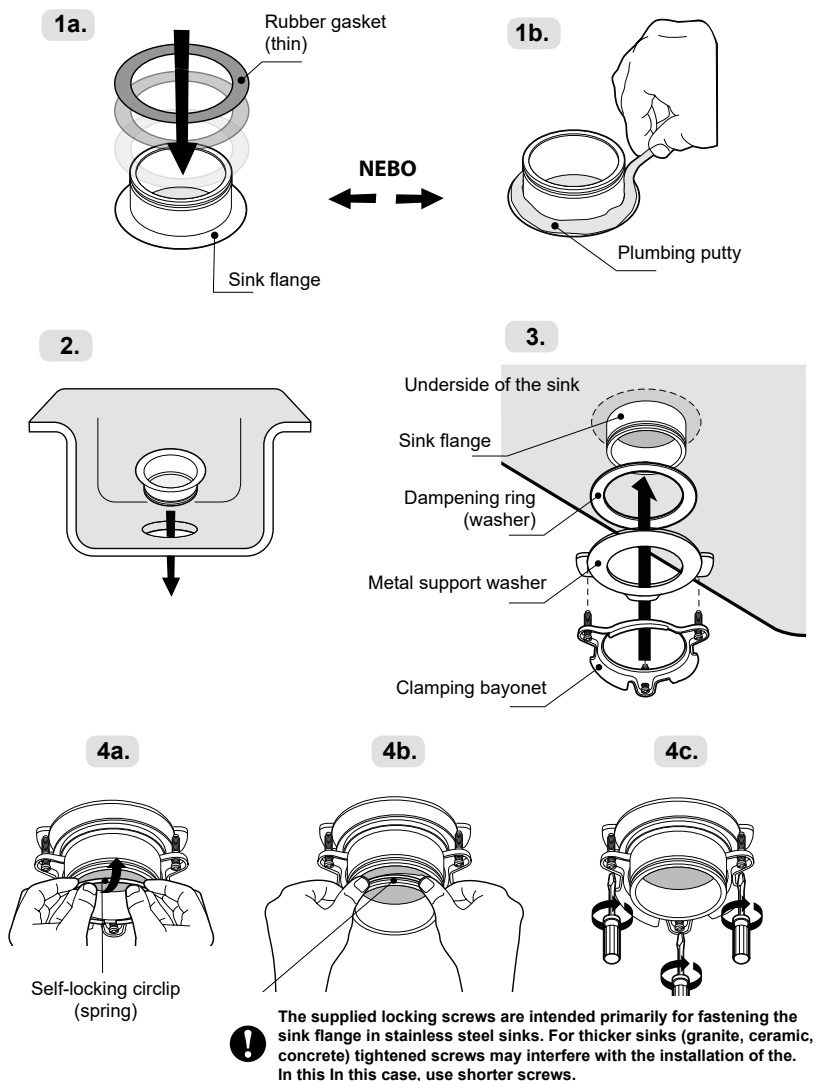
1. Insert a screwdriver into the mounting groove of the clamping bayonet and turn (Fig. 3). This will release the mounting assembly from the body of the waste disposer (Fig. 4).
2. Loosen the three bolt screws on the top clamping bayonet – the assembly will loosely turn and then it will come loose.

## Releasing the mounting assembly

3. Using a flat screwdriver press against the self-locking circlip – spring and carefully remove it from the waste disposer (Fig. 5).

Remember the correct order in which the mounting assembly parts were assembled by the manufacturer.

# Installing the mounting assembly into the sink



## Installation of the sink flange into the sink

To seal the sink flange use the supplied thin rubber gasket (Fig. 1a). In case you need to achieve a better fit of the sink flange with the bottom of the sink, apply only the plumbing putty instead of the rubber gasket (Fig. 1b).

1. Sink flange with the rubber gasket or plumbing putty applied and placed into the sink opening (Fig. 2).
2. Pod dřezem nasuňte na hrdlo tlumící gumový kroužek (obr. 3) lesklou stranou (s kluznou fólií) směrem dolů.
3. Install the metal support washer. (Fig. 3).
4. Install the top clamping bayonet and the three bolt screws (Fig. 3).
5. Install the self-locking circlip (Fig. 4a) into the groove of the sink flange by pressing, so that the spring „clicks“ (Fig. 4b).
6. Tighten all three screws one at a time. (Fig. 4c). At the same time, pay attention to the centering of the neck from the upper (visible) side of the sink.

**!** To install the self-locking circlip - spring (Fig. 4) the use of both hands is required. Ask another person to hold (load) the sink flange in the sink during installation of the circlip ring or use a bucket of water from above to weigh it down.

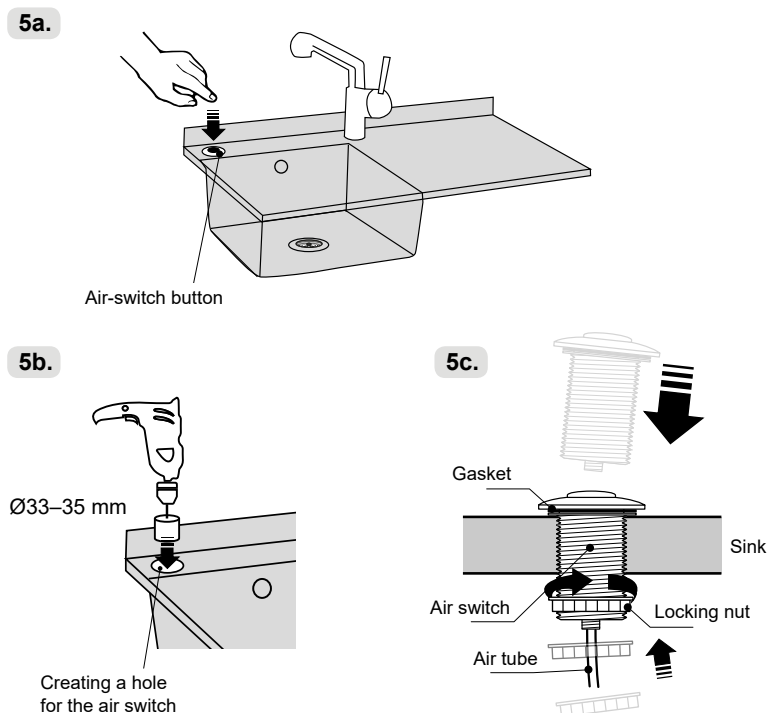
## Drilling the hole and assembly of the air switch button (optional as required)

For a more comfortable use instead of using a standard rocker wall switch you can use an air button switch see chapter „Waste disposer control options“ installed in the sink (Fig. 5a). To insert the air button switch into the sink, you can use the hole after removing the eccentric control of the original outlet (if the sink has the hole for this system blocked). If the hole is missing, it will be necessary to created by drilling either directly into the sink or worktop area (Fig. 5b).

The hole is made with a suitable tool Ø33–35 mm depending on the drilled material. Diamond crown for granite, stone, marble, ceramics. Drill and stripping tool for stainless steel. Reamer for wooden worktop.

Insert the air switch button into the hole and from below tighten the nut (Fig. 5c). Then attach the hose to the outlet of the tube, see chapter „Connecting the tire-button hose to the crusher“.

„Air switch tube connection to waste disposer“. **Please note:** Air button switch is included. 8596220001733 (Contact your local dealer).





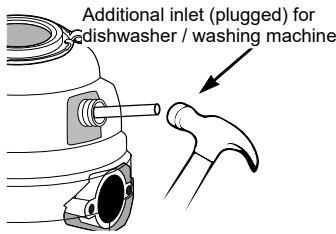
# Připojení myčky a přepadu dřezu (dle potřeby)



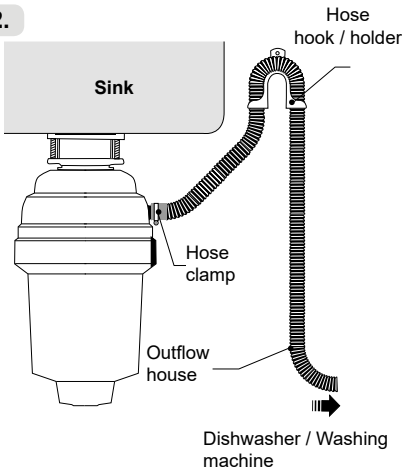
If you are not connecting the dishwasher / washing machine directly to the waste disposer, skip this step and proceed „Connecting the waste pipe elbow“.

1.

Knock out plug with blunt tool



2.



## Connecting the dishwasher

Using a hammer and blunt tool, tap the plastic plug / inside the additional inlet towards the waste disposer (Fig. 1). You can use for example a punch, metal tube - a pin, possibly a larger screwdriver. Remove the knocked out plug from inside the waste disposer.

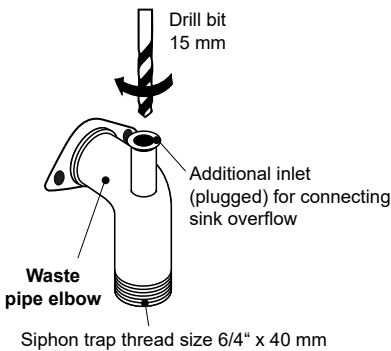
1

Later, during the installation, connect the dishwasher hose using a hose clamp (Fig. 2). If the connecting hose has a different size, use an appropriate adapter.

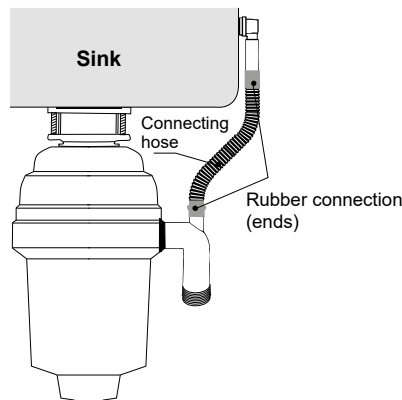
**Attention:** The connecting hose must be mounted higher than the inlet of the waste disposer. Use an hose hook to affix the hose under the sink

**Remember to remove the knocked out plug from the chamber of the waste disposer**

3.



4.



## Connecting the sink overflow

The waste elbow extension pipe is has a blinding plug. For connecting the sink overflow hose, drill through the blinding plug best with a core drill Ø15 mm, optionally with a plain drill (Fig. 3). If you use a screwdriver to break the plug, you risk breaking the entire elbow extension.

2

Drill the blinding plug before mounting the elbow extension to the waste disposers outlet. Use a round file to clean the opening of any rough edges. If necessary, shorten and insert the connecting hose with the rubber fittings on the extensions (Fig. 4).

To connect the sink overflow hose to the waste disposer's elbow extension, we recommend using a universal hose installation kit with fittings.



### Please note:

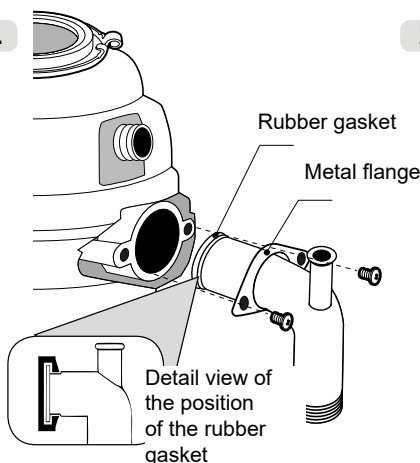
Universal installation kit is included.

# Connecting the waste elbow pipe

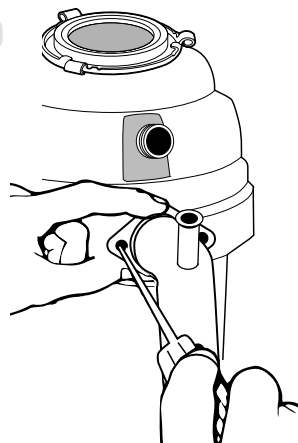


If your sink has an overflow outlet, make sure that before connecting the overflow hose to the additional inlet on the drain elbow pipe that it has been unplugged. See chapter „Connecting the dishwasher and sink overflow“

1.



2.



## Waste elbow pipe assembly

First, slide the metal flange onto the elbow pipe, then fit the rubber gasket with the groove onto the edge of the pipe. For the correct orientation of the rubber gasket seal (Fig. 1).

1

## Connecting the waste elbow pipe

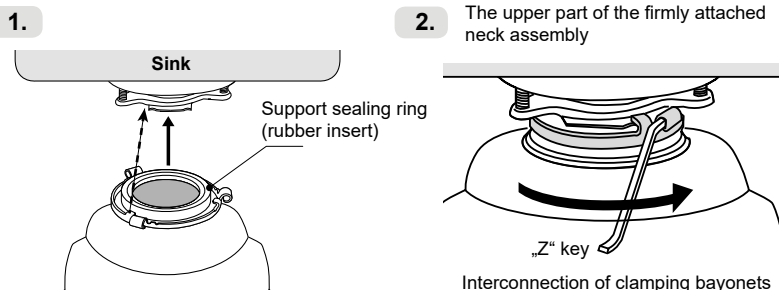
Connect the waste elbow pipe to the waste disposer and tighten the sliding flange bolts (Fig. 2).

The waste elbow pipe should point vertically down (another position is only suitable for an atypical connection or if you need to have the position of the siphon trap further away from the waste disposer).

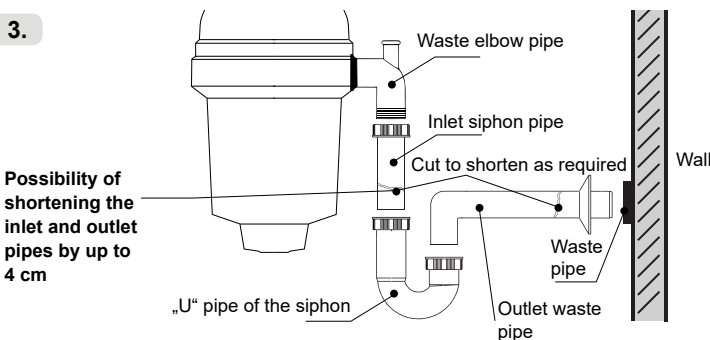
# Connection to the mounting and siphon trap assembly



If your waste pipes are not completely new, this is now a good opportunity to clean your pipes from old deposits with a plumber's plume or screw before connecting the waste disposer. This will prevent future complications.



For easier tightening, we recommend lightly lubricating the top of the rubber ring with grease or soap.



Never lubricate the siphon traps gasket seals

## Connecting the waste disposer to the sink and siphon trap

Hang the waste disposer onto the sink flange assembly (Fig. 1) and partially secure it by turning the lower clamping bayonet (turn right when viewed from below) using the supplied „Z“ key (Fig. 2).

Turn the waste disposer with the drain hole and installed waste pipe elbow towards you.

Screw the first part of the siphon onto the thread of the waste elbow - the inlet pipe with the nut and a seal (Fig. 3). Connect the „U“ part of the siphon and the siphon outlet pipe.

Turn the waste disposer so that the outlet waste pipe points towards the opening of the main waste pipe in the wall.

Connect the outlet waste pipe of the siphon to the main waste pipe located in the wall.

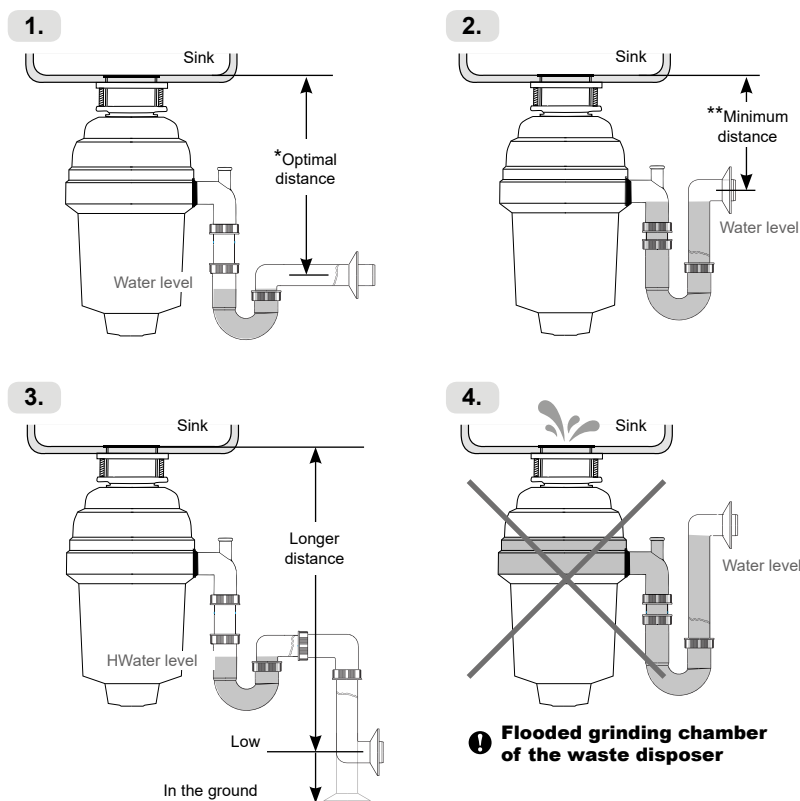
Tighten all of the nuts of the siphon piping. Fully tighten the clamping bayonet with a „Z“ key wrench to the locked position via the locking latch (Fig. 2).

### Siphon is not included as standard

We recommend using to facilitate installation original accessories:

Waste pipe siphon 6/4"x 40 mm EAN code: 8595156224360.

# Typical waste pipe connection



## Typical waste pipe connection

Recommended distances between the outlet waste pipe and sink bottom.

**Optimal distance** – applies to the original siphon trap kit – EAN: 8595156224360 (Fig. 1).

**\*305-380 mm for model HEAVY DUTY** (without shortening the inlet pipe 340-380 mm).

**Minimum distance** – reachable when reversing the siphon trap outlet pipe (Fig. 2).

**\*\*180 mm for model HEAVY DUTY**

**Correct siphon trap installation** to the waste pipe show in (Fig 1, 2, a 3.)

**Incorrect siphon installation** – waste pipe outlet must not be higher that the outlet of the waste disposer (Fig. 4).

The high water level within the grinding chamber will cause a splash into the sink every time you turn on the waste disposer. It will also cause worse draining of the sink or when connecting the dishwasher via the waste disposer filling of the sink when draining with waste water.

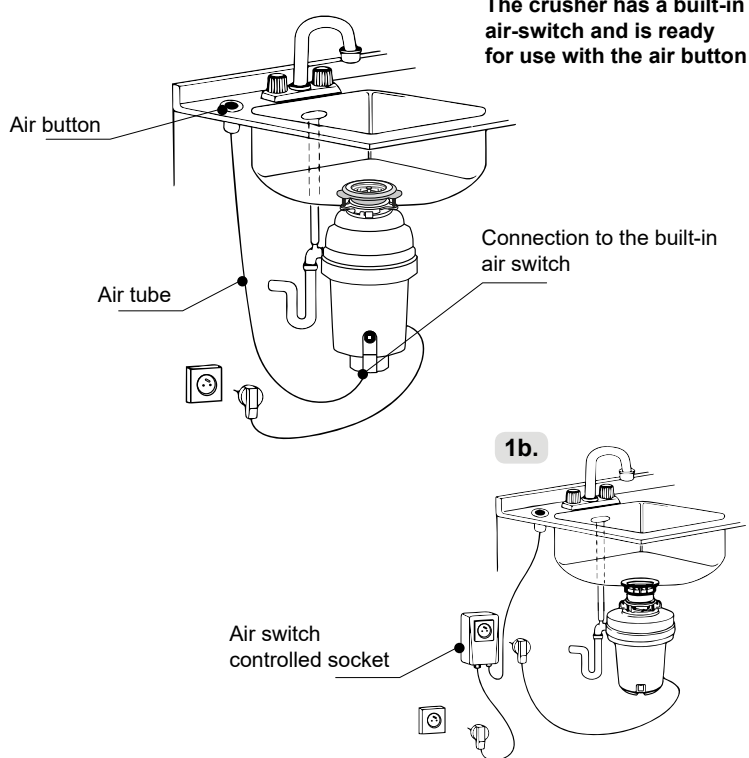
We recommend using two separate siphon traps for a double bowl sink. One siphon trap may cause complications.

Ideal diameter of waste pipes is 40, 50 mm and more. Length according to local standards.

# Waste disposer control options

Switching on / off can be done in several ways depending on the location and type of switch selected.

1a.



1

## Standard air button

The most common way to easily control the waste disposer is directly from the sink top or worktop. The air button can be placed almost anywhere, preferably near the faucet for the most comfortable operation (Fig. 1).

All you have to do is drill a hole. The air button is connected to the waste disposer via an air tube.

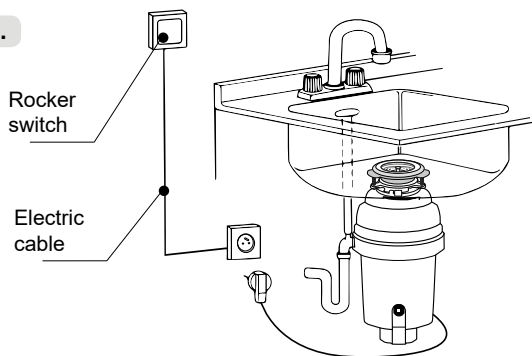
Press once - the waste disposer will start, press for a second time - the waste disposer will stop. In addition, the button may come into direct contact with water, he does not mind pressing you can use wet hands, nor its placement on the sink drip area.

By pressing of the air button, the air tube only transmits a pulse (air pressure) to the air switch inside the bottom of the waste disposer.

**Note:** If you are replacing an old disposer with a new one, and the original disposer has been controlled by air switch electrical socket (Fig. 1b), you can connect the waste disposer to this controlled socket again or remove it and connect the air tube directly from the air button to the waste disposer.

However, if you keep the original socket, you must set the built-in air switch of the waste disposer to ON. One-time state switching can be achieved by simply blowing temporarily via the air tube without the connected air button.

2.



2

## Rocker switch

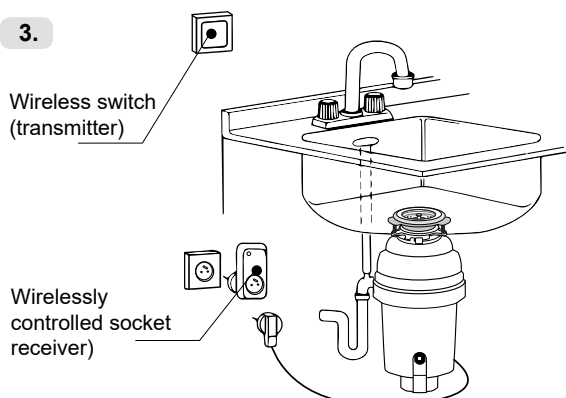
The standard way to control the waste disposer is to use a conventional rocker switch located on the wall above the worktop near the sink (Fig. 2).

The switch is connected so that it controls the power supply socket outlet in the cabinet under the sink into which the waste disposer is connected.

However, there is a need to install an electrical socket and switch, ideally when refurbishing or planning a new kitchen.

Follow applicable standards for the location of the rocker switch, consult an expert.

3.



3

## Wireless switch

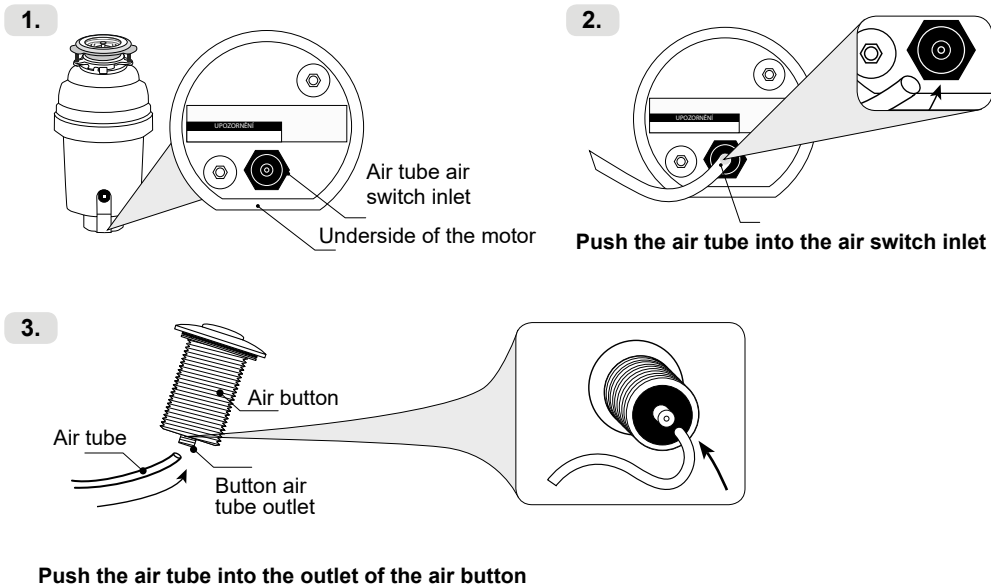
The waste disposer is plugged into a wirelessly controlled electrical socket and remote control with its own battery in the form of a classic rocker switch on the wall (Fig. 3).

If you use a wirelessly-controlled electrical socket in combination with a hand held remote control, you can place it almost anywhere.

It can be used when it is no longer possible to deal with an additional electrical installation for a rocker switch or if it is difficult to drill a hole in the sink or worktop for the air button (stone or granite worktop, etc.).

**Child safety first:** An additional safety switch can be installed as a safety measure to prevent unintentional turning on of the waste disposer in your absence. For this purpose, an additional switch in a hidden location or a wireless switch with a portable remote control can be used (to disconnect the power supply).

# Connecting the air button tube to the waste disposer



## Connecting the air tube

Locate the air tube inlet of the air-switch on the underside of the waste disposer. (Fig. 1).

Push the air tube into the air-switch inlet and check by gently pulling on the air tube to make sure it is properly connected (Fig. 2).

Connect the other end of the air tube to the outlet of the control air button and check that it is firmly connected (Fig. 3).

**!** If the air tube is not connected properly, it may fall out and the disposer will not turn on or off.

# Electrical connection

The waste disposer is connected to the mains power supply by simply plugging the power cord plug into the mains socket.

All EcoMaster models have a built-in air switch located at the bottom of the motor cap. They are thus ready for the air button control. If you select a different control mode and the disposer does not work after plugging the plug into the socket, make sure the disposer is switched on. To turn on the disposer, blow directly into the air switch or through the connected air tube.



The waste disposer supplied in this package is designed for 220-240V AC operation. You will find all relevant information and electrical parameters on the label located on the underside of the disposer.

### GROUNDING INSTRUCTIONS:



The device must be connected to a grounded connection. Always follow applicable regulations and standards. If you are using an extension cord, the plug and socket must be equipped with a connected grounding pin and grounded socket.

### NOTICE:



If for any reason the waste disposer needs to be connected differently not using the original power cable, the electrical connection must be made by a qualified person. Disconnect the power supply before installing the waste disposer. Turn off the circuit breaker or pull out the fuse.

# Trial operation

## Final leak and functionality check

1. Check that the grinding chamber is empty and insert the splash guard into the sink flange of the waste disposer
2. Check the operation of the air button control - turn ON and OFF using the switch.
3. Check the tightness of the waste pipe siphon trap nuts, the overflow connecting hose and the tightness of all waste disposer connections.
4. Run water through the sink - allow it to flow and check all connections for leaks.
5. Use the sink plug - fill the sink with water to the edge and check sink overflow hose connection.
6. If all of the previous checks have been carried out properly, perform a pressure test by draining a full sink.  
Remove the sink plug or splash guard, you can also turn on the disposer whilst draining. The water pressure will also check for minor leaks in particular the strength of the installation connections. (Drops of water must never appear and the waste pipes must remain completely dry).

### Note:

The running disposer pressure test is more efficient as the water pressure is increased. However, the crusher is currently operating in a non-standard mode, overflowing the crushing chamber without access to air, causing some vibration and noise. Do not worry, leave the crusher on until the sink is completely empty.

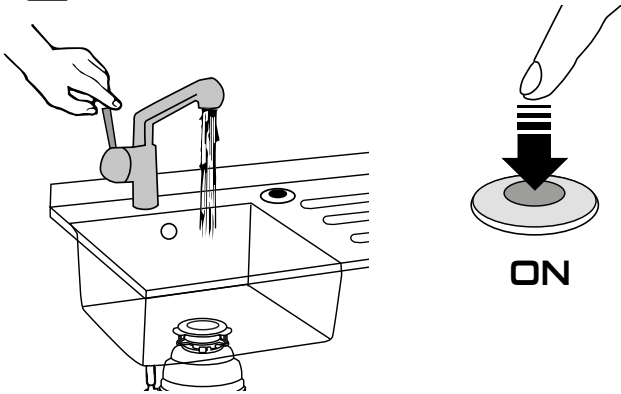
# How to use the waste disposer

This waste disposer is equipped with special swing jam resistant blades. When it is switched on, the blades rotate to their working position, you will hear a click that indicates the correct operation of the device.

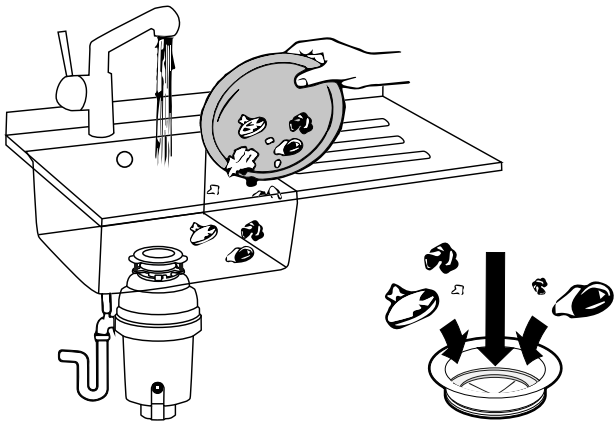
**1** Remove the stopper 



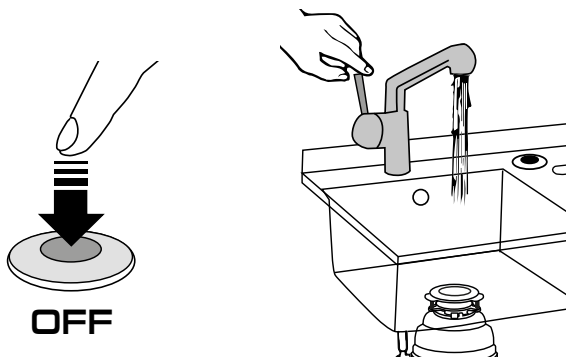
**2** Run the cold water



**3** Scrape food scraps into the waste disposer



**4** Turn OFF the waste disposer and stop the water



**1** Remove the stopper plug if it is being used

**2** Run the cold water.  
Press the air button to turn on the waste disposer.  
The motor starts and the waste disposer is ready for use.

**3** Scrape the food scraps and waste into the drain – sink flange: food scraps from plates, hulls of fruits and vegetables, stalk, egg and nut shells, seeds, pips, cuttings and smaller bones, coffee grounds including the filter from filtered coffee, tea bags (without string), napkins, paper tissues or cloths toothpicks, cigarette butts, etc.


**4** When the grinding has finished, leave the water running for a few more seconds before turning it off to ensure the siphon and waste pipes are flushed thoroughly.


**HINTS AND TIPS:**

- 1. You can use the Mr Scrappy multi-purpose tool when not in use (included, see accessories), inserted into sink flange set on the first step - position of the sieve to reduce the risk of cutlery falling or other foreign objects into the waste disposer. This will reduce the chance of falling kitchen tools and other objects into the grinding chamber of the disposer.
- 2. If the disposer is not on, always keep the grinding chamber empty and do not throw any food scraps in advance. Collect food scraps within the sink, run the water and then gradually scrape the food scraps down into the running dispenser.

If the grinding chamber of the waste disposer is pre-filled with food waste, you risk poor sink drainage, disposer jam on power up, and the filling of the sink with waste water if the disposer's grinding chamber has a connected drain hose from the dishwasher / washing machine.

- 3. Use the disposer before and after any meal, during cooking and food preparation. Just run the cold water and clean the sink from the remains of vegetables or lettuce cuttings. When you have finished your meal, scrape the food scraps directly into the waste disposer.
- 4. **IF YOU WANT TO SPEED UP THE GRINDING PROCESS**  
Larger food scraps like longer bones, root vegetables, whole rotten fruit, leftover melon skins, peel of citrus fruits, cut into smaller pieces. Grinding of large bones, walnuts shells or plant stalks, skins, such as bean pods and corn cobs takes longer, and it may be more effective to grind them with other food waste. The grinding effect will improve significantly if ground with other food waste at once.
- 5. Use the disposer with care! Its robust design will allow years trouble-free use. The disposer processes all common food waste, do not use it to grind things like cans, bottles, bottle caps, plastics, glass, porcelain, leather, textile, crockery, rubber, strings, feathers and sea shells. These are waste materials that belong in the communal waste bins, not in the waste disposer.

 It is not recommended to use hot water whilst grinding. In cold water, food remains and fats remain in a solid form and the disposer can wash them away easily.

 Do not pour boiling water into the sink where the disposer is located, without running the cold water. Steep fluctuations in temperatures can cause changes in the expansions of materials and may damage the grinding chamber or deform the siphon trap waste pipe, including the loosening of the nuts.

 **Do not use the disposer for commercial use and in catering facilities. Under no circumstances should the disposer run continuously!**

# Cleaning & maintenance

It is advisable to occasionally remove and clean with a brush the underside of the rubber splash guard impurities (Fig. 1), where food particles deposit and may decompose over time. You can also put the splash guard in the dishwasher. After some time or in case of damage, replace the splash guard for a new one, see the chapter „Waste disposer accessories“.

Always return the splash guard to the sink flange by pushing it down until it sets on the rim, which is approx. 5 cm under top edge of the flange. If the splash guard is not set properly, it may be misaligned and may fall into the grinding chamber.

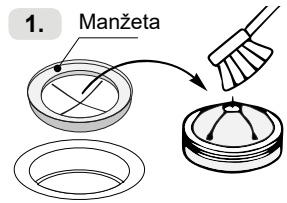
The food waste disposer is a maintenance-free device and usually requires no further attention. The grinding chamber and grinding segments of the waste disposer are cleaned by the grinding process at each use. Fragments of crushed materials, especially egg and nut shells, act lightly abrasive and do not allow for larger food waste deposits.

If, however, you decide to clean the device, pour some ice cubes into the grinding chamber, add a cup of salt, cover the drain with a stopper (do not run the water yet), turn on the disposer and let it run until the crushing sound of ice is no longer heard, then remove the stopper, run the cold water for a while and then turn off the disposer. This cleaning method removes deposits and bits of food waste from the grinding chamber.

You can also rinse the disposer with acetic water or baking soda. To freshen the disposer, use orange or lemon peel for a pleasant smell. For a professional solution, use **Disposer Care cleaning capsules or powder**, see chapter „Waste disposer accessories“. Use as needed to keep your waste disposer and siphon trap smelling clean and fresh.

Mineral and lime deposits can also build up on the turntable and grinding segments of the disposer. These deposits may look like rust, but don't worry, all crushing components are made of stainless steel.

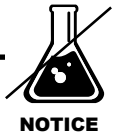
The motor of the waste disposer has sliding, self-lubricating bearings. LUBRICATION IS NOT REQUIRED. There is no need to sharpen the grinding segments. Due to the vibrations caused by grinding it is recommended to perform intermittent CHECKS of the tightness of the disposer mount assembly and all other connections and nuts on the siphon trap waste pipe. Over time they may get loose and cause possible leaks.



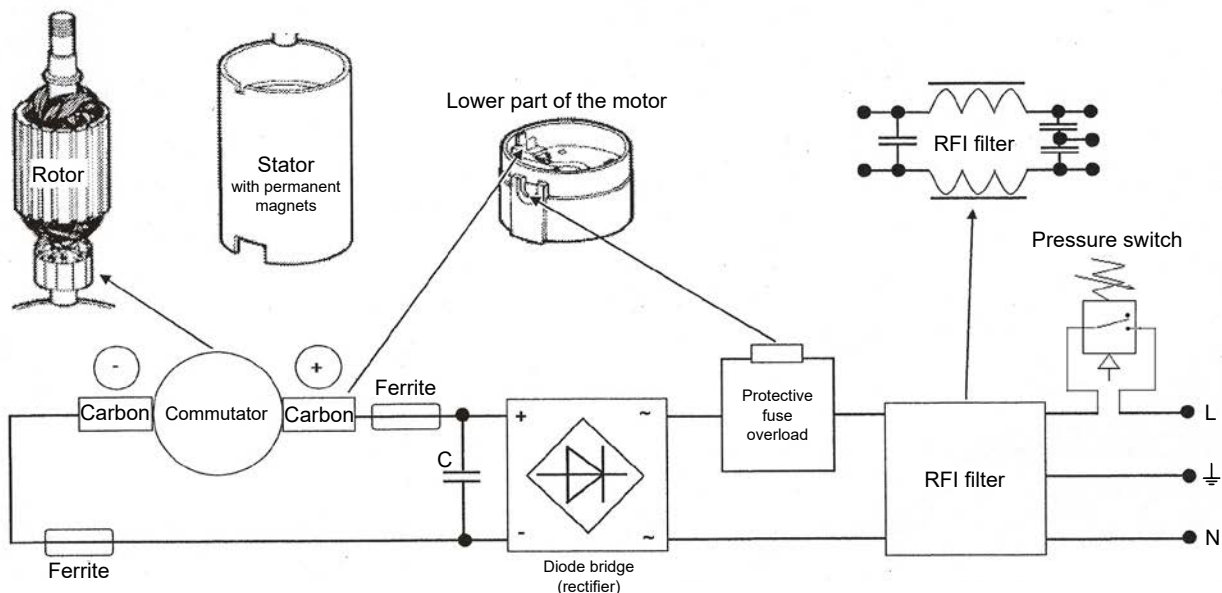
## Never pour aggressive substances into waste disposer!

For example: bleach, chemical waste cleaner, etc. Chemicals may weaken the gasket seals and cause subsequent leakage into the disposer damaging the motor by shorting electrical parts.

If you need to dissolve food deposits in the waste pipes and want to use one of the suited chemical preparations, you MUST pour them directly into the waste pipe, NEVER into the disposer.



# Wiring diagram



## Overload protection has two triggers connected in series:

- 1) Short-circuit (non-reversible)** – it consists of a hot wire. Typically, the wire is burned (interrupted) in the event of a short circuit in the rotor winding, commutator in the event of a diode bridge failure, thereby protecting the supply line.
- 2) Thermal (reversible)** – consists of a bimetallic strip with contact and tripping mechanism. (Bimetallic - mechanically bonded two metal strips of different thermal expansion) The bimetallic strip is heated by too much current passing through it, deformed in a given direction and activates the tripping mechanism, which breaks the circuit. After relieving the overloaded motor and cooling the bimetal strip, the protection can be switched on again. This protection is not thermally bonded with the rotor, therefore, it cannot react to an increase in temperature, caused by excessive long use, even if the motor is not overloaded.

# Troubleshooting

## If the following problems occur, perform the below checks and correct the problem.

Before contacting your dealer, service, or replacing the disposer, we recommend that you perform the following checks listed first. This will save you any unnecessary service costs that are not covered by the free warranty for commissioning an otherwise functional device.

In the event that the disposer has stopped working or behaves abnormally, it may be a reaction of the protective fuse to in case of a jam, overload or some other condition that can be used to identify the cause and simply repair the disposer and get it working again.

**⚠ Always disconnect the disposer from the mains power supply before placing hands or other tools into the grinding chamber!**  
**The waste disposer may start unexpectedly and cause serious injury.**

### DISPOSER WILL NOT TURN ON / DOES NOT WORK

Check the power supply to the disposer, main circuit breaker and whether the mains power cable is properly connected to the power socket.

Verify that the disposer fuse has not been tripped due to a motor overload. Push the fuse reset button (Fig. 1) to reset the fuse. When using the air button, check its functionality. Press the button several times, a weak click must be heard on each press coming from the air switch mechanism located at the bottom of the disposer (we recommend opening the sink cabinet door). Check the connection of the air tube at both ends between the air button and the air switch at the bottom of the disposer. The air tube may have fallen out.

When attaching the air tube, do not press the air button at the same time.

### JAMMED OBJECT IN GRINDING CHAMBER / TURNTABLE WILL NOT TURN / DISPOSER WILL NOT RUN

A spoon or a metal bottle cap may fall into the disposer and jam at the edge of the turntable. Remove the rubber splash guard and look into the grinding chamber. Usually you can remove the jammed object with your hand or with long pliers.

The cause of the jam may not always be obvious, but it may be a shard of bone or a small pip from previous grinding, which will prevent the disposer from running when turned ON.

Always check whether the turntable can rotate freely within the grinding chamber. If the turntable is blocked, insert a large wooden spoon or a long screw driver against one of the protrusions and try to turn the turntable counter-clockwise (Fig. 2). It is necessary to rotate the entire turntable, not just the blades on the pins.

Sometimes you need to apply more force to dislodge the foreign object.

Once the turntable rotates freely, put back the rubber splash guard and press the fuse reset button at the front of the disposer (Fig. 1).

**Note:** Resetting the thermal fuse without removing the cause of the blockage will only cause the motor to hum for a while and then the fuse reset button will pop out again. If the fuse is reactivated and the blockage removed, the button will click and remain in the pushed-in position. Sometimes it may be necessary to let the fuse cool down for a few minutes before trying to reset it.

### AIR BUTTON IS NOT WORKING

To avoid air button problems, using a finger with the air tube removed, block the outlet of the air button, press the air button, you must feel pressure and the button should be hard to press. (If the rubber ball inside of the air button has a rupture when pressed, the air will escape through the rupture. In this case replace the air button with a new one).

If the air button is getting stuck, it is clogged with dirt, disassemble the air button and clean the parts (Fig. 3).

### NOISY / VIBRATIONS

(Disregard the operating noise that the disposer makes during grinding of bones or pellets of fruit). A strong metal noise is usually caused by a spoon, bottle cap or other foreign object that has accidentally fallen into the disposer.

Shut down the disposer and stop the water. Pull out the splash guard and remove any foreign objects from inside the disposer grinding chamber.

Put the splash guard back into place. Increased noise from the grinding chamber can be caused by an old splash guard if its individual elastic blades get loose and do not return to their original closed position. Replace the splash guard with a new one.

Unpleasant vibrations along with increased noise can cause an unbalanced rotation when one of the swinging blades of the grinding turntable plate gets stuck on the pin. There was a rubber band, a string or other deposits under the blade. Remove the cause of the blockage and that the blade moves freely on its pin by moving it back and forth.

### WATER SPLASHES INTO THE SINK

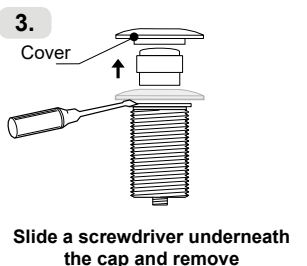
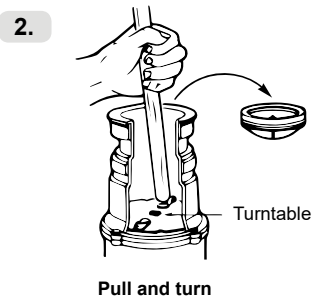
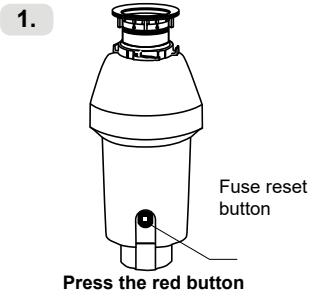
Check the condition of the removable splash guard which should prevent water from splashing back into the sink. If the flexible blades do not return to their original closed position or are damaged, replace the splash guard with a new one.

Check that the disposers waste pipes are correctly connected, see the chapter „Typical waste pipe connection“.

### POOR SINK DRAINAGE

This may be caused by clogging of the siphon trap or drain pipe. This may be due to poor grinding either without water or insufficient water flow. If the pipe is clogged shortly after installation, it is usually caused by loosening of old deposits that will dislodge with the disposers water pressure. Try filling the sink with water to the edge, remove the plug and splash guard and turn on the disposer. The water column pressure together with the running disposer can clear the drain pipe. If you have not been successful, use a plunger or have the pipes professionally cleaned.

When draining the dishwasher or washing machine through the disposer, the sink is filled with waste water. Check the grinding chamber for



leftovers of food waste which was not ground, that could be causing poor drainage or check whether your disposer drainage connection is setup correctly see chapter „**Typical waste pipe connection**“ or „**Connecting a dishwasher and sink overflow**“

### **LEAKAGE**

If the disposer leaks around the upper part of the inlet, this may be due to improper seating of the inlet flange in the sink (incorrectly selected gasket or sealant putty or insufficient tightening of the tightening ring).

Vibrations when grinding tough materials may loosen a poorly tightened nut of the sink flange.

The clamping bayonet is not tightened all the way to the locked position. The damping rings rubber has a defect which is causing the leak.

If the device leaks at the waste elbow pipe, check the tightening of the bolts on the elbow flange, the gasket whether it has not been incorrectly fitted upside down or outside of the groove.

### **NOTICE:**

In case of fixing of the above mentioned problems, which are often caused self caused, these are not warranty repairs!

These steps are a normal part of the standard operating procedure of the disposer.

**If you have performed the above checks and the disposer still does not work, it may be an internal fault that requires repair or a replacement of the disposer. Contact your dealer or service centre.**

## Warranty conditions

---

The warranty covers defects and defects that have arisen during the warranty period due to a manufacturing fault or the materials used. These defects will be repaired free of charge. If the product has a problem, contact your dealer.

The warranty period is governed by the applicable provisions of the law and is 24 months for the end consumer, with the exceptions stipulated by law. The seller may offer a longer warranty period. The warranty period for purchased goods starts on the date of delivery to the buyer.

The product will be repaired free of charge upon presentation of a proof of purchase with the defective product.

When shipping, the customer bears the risk of damage to the product during transport.

### **Free warranty repair service**

It is only provided if the disposer does function even after carrying out the following steps:

- **The turntable within the grinding chamber rotates freely and the blades swing on the pins.**
- **The reset fuse button on the bottom front of the disposer (red button) has been pressed.**

### **Entitlement to a free warranty repair will expire in the following cases:**

- The device has been installed or operated in violation of the installation and usage instructions.
- The information on the documents differ from the information on the device.
- The device's serial number has been damaged, altered, removed, or if the warranty seal has been broken.
- The defect was caused by unacceptable interference with the product (disassembly, modification or repair by unauthorized service).
- Damage was caused by external influences such as pollution, contact with water due to natural events, natural or other external phenomena (floods, earthquakes, thunderstorms, fire, power surges, etc.)
- Damage is evidently related (or carrying a characteristic) with incorrect voltage, short circuits, or electrical grid instability as well as all defects related to incorrect electrical connection).
- The device is in any way mechanically damaged (by a fall, dropping, damaged by other objects).
- Water seeped into the motor by damaging the oil seal (damage by aggressive cleaning chemicals or by winding of plastic bags onto the shaft).
- The device has been used for grinding of non-biological waste or used for other purposes than usual.
- The device model sold for households has been used for commercial purposes or has been proven to be overloaded.
- Damage is caused by improper use and conditions that do not correspond to the manufacturer's specifications (outdoor use and others).

### **The free warranty repair does not apply to:**

- Routine maintenance of the device, especially troubleshooting in accordance with the instructions in the „**Troubleshooting**“ chapter (e.g. foreign objects or leftover unground waste, other emergency situations, cleaning, etc.)
- For defects caused by improper installation.

In the event of an unjustified claim, non-existent defect or the termination of the right to a free warranty repair see above, all service costs will be charged associated with testing, repair and shipment / return of the product.



# Environmental protection and recycling

In the EU, only 30% of all produced waste is recycled annually, 27% in incinerators, 25% in landfills and only 17% composted. Paper, metals, plastics, glass - can all be recycled. Waste sorting has become a standard and a necessity within advanced society.

**The worst type of waste is organic waste. Food residues and other biodegradable waste ends up mixed in communal waste, which must then be transported by lorries to a municipal landfill.**



Communal landfills are slowly filling up and land for new landfills is not available, this is the reason why all over the world measures to divert mixed waste from landfills have been put into place. Organic waste



in landfills uncontrollably decomposes and releases greenhouse gases and landfill leachate - a strongly acidic contaminant of soil and groundwaters. The most dangerous gas produced when organic waste decomposes is free escaping methane, a greenhouse gas which contributes to global warming 20 times more than carbon dioxide.

Basically, there are only two ways to dispose of organic waste such as food scraps – by composting or using food waste disposers.

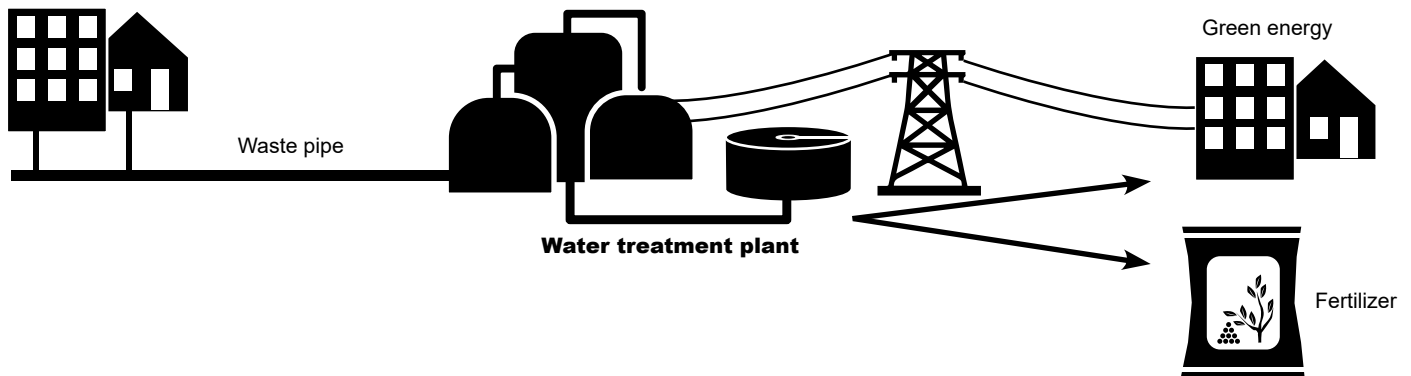
While composting can be quite complicated for urban households, the food waste disposer can be mounted almost under every household kitchen sink. The use of the waste disposer is a responsible and environmentally friendly way of immediately processing organic waste on site, and its the cheapest way to separate organic waste. No need for garbage trucks to transport organic waste to landfills further adding to the environmental pollution.

**Organic food waste is ground (to very small particles) and drained to a wastewater treatment plant for further processing, similar to other organically degradable household waste (human excrements).**

Modern waste water treatment plants are equipped with the technology to process bio-waste from the wastewater which generates bio-gas used to generate green electricity. Methane is transformed into green electricity and heating.

Solid residues are further stabilized and used as a nutrient fertilizer. Sludge from the wastewater treatment plants offers currently an alternative to the introduction of organic matter into agricultural fields.

Households with a waste disposer



## Facts about food waste disposers:

- Using waste disposers will increase household water consumption by about 1% annually
- Electricity consumption annually increases by 3-4 kWh, ie 90 times less than the average consumption of a conventional refrigerator
- Food waste is 75% composed of water
- Wastewater treatment plants are capable for every 1000 kg of food waste that we do not throw into landfills extract and recycle over 600 litres of purified water
- Every year within the EU, 88 million tonnes of food worth around €143 million is thrown away.

It is **NOT possible to process non-organic waste such as cans, microtene packaging, rubber gloves, plastics, ceramics or glass.**

These materials do not pass through the grinding chamber as the process of grinding only involves centrifugal force and a perforated ring enough to grind food waste only.

By using a food waste disposer, you sort waste at the source site. Your trash big is clean and dry, the waste is much more easier to sort into plastics, metals, glass and paper - according to the types of waste collection containers in front of your house.

## Disposal of packaging and electrical equipment

Follow the instructions on page 4 for disposal of packaging and electrical equipment. Do not dispose of electrical and electronic equipment in communal waste!

# Waste disposer accessories

## Recommended for installation



### EcoMaster Air switch (button)

For comfortable control of the disposer

Chrome gloss - EAN: 8596220000101

Stainless steel matt - EAN: 8596220000811

### EcoMaster air tube

It is used to connect the air switch with the disposer

EAN: 8596220000705



### Sink overflow installation kit

For a smooth connection between the sink and waste disposer

EAN no.: 8596220002907



### Universal siphon trap waste pipe kit 6/4" x 40

Odour trap with smooth flow incl. parts to move the siphon trap to the wall

EAN no.: 8595156224360

## Additional



### Stainless steel stopper

Fits into the sink flange above the splash guard

EAN no.: 8596220005052



### Replacement silicone splashguard

For insertion into the sinkflange - protection against debris flying out of the disposer and noise reduction

EAN kód: 8596220005038



### Multi-purpose disposer tool

Mr. Scrappy - Stopper, sieve, scraper

EAN no.: 8596220000088



### EcoMaster rubber splashguard

Pro vsazení do hrdla - ochrana před vylétáváním zbytků a hlukem

EAN kód: 8596220005052



### Threaded drain elbow with additional input

Separately without flange, seals and screws

EAN kód: 8596220001696

**Contact your dealer to purchase accessories**

(possibility to search by EAN code on the internet)

# Packaging contents

---

<b>Device .....</b>	<b>1 pc</b>
<b>User installation manual .....</b>	<b>1 pc</b>
<b>Removable splash guard .....</b>	<b>1 pc</b>
<b>Stainless steel stopper .....</b>	<b>1 pc</b>
<b>Waste elbow pipe with an additional inlet for sink overflow / dishwasher incl. flange, 2 screws .....</b>	<b>1 pc</b>
<b>Accessories</b>	
<hr/>	
<b>Air button including air tube .....</b>	<b>1 pc</b>
<b>Sink overflow installation kit .....</b>	<b>1 pc</b>
<b>Multifunctional disposer tool Mr. Scrappy .....</b>	<b>1 pc</b>

**EcoMaster<sup>®</sup>**

---